

ROBO-XHAUST

REMOTE CONTROL EXHAUST
REMOVAL SYSTEM



- **DESIGNED FOR EMPLOYEE SAFETY**
- **COMPLETELY SELF CONTAINED**
- **ADJUSTABLE HEIGHT & REACH**
- **LOWER ENERGY COSTS**
- **NO LADDERS NEEDED**
- **REMOTE CONTROLLED**
- **ON-BOARD BLOWER**
- **HEAVY DUTY**
- **COMPACT**

The ROBO-XHAUST Remote Control Exhaust Removal System safely removes bus exhaust fumes from the work environment.

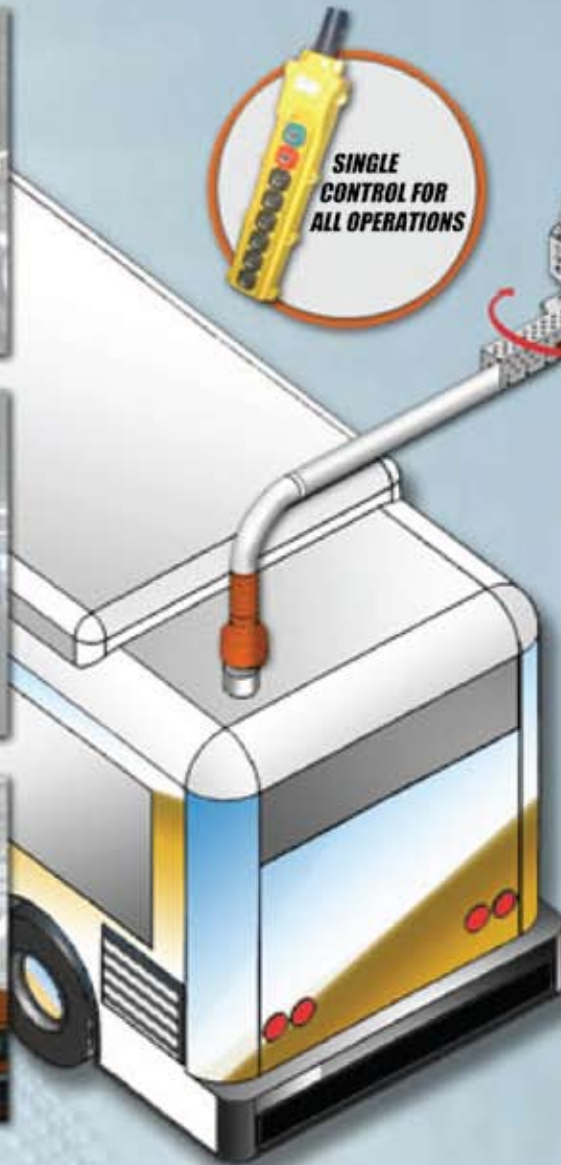
800.782.1582



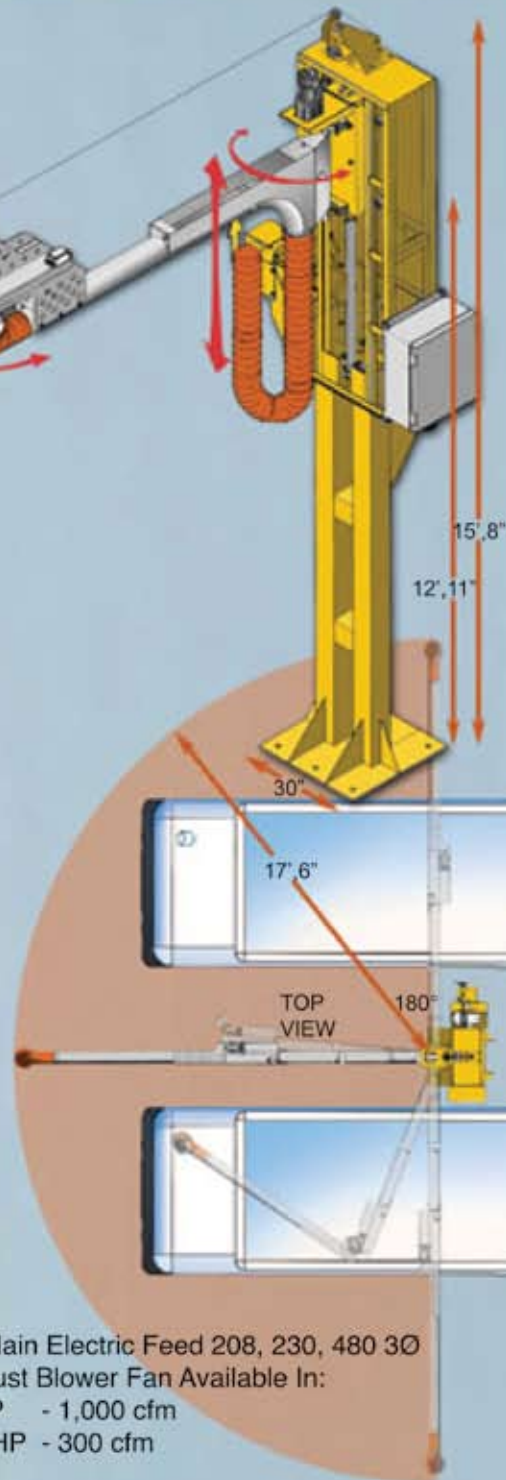
Wash Systems

Since 1961

ROBO-XHAUST REMOTE CONTROL EXHAUST REMOVAL SYSTEM



**SINGLE
CONTROL FOR
ALL OPERATIONS**



SAFETY

- Captures exhaust fumes directly from vehicle, protecting employees and the working environment.
- Remote mounting action eliminates risk of accidents.

REMOTE CONTROL

- Single pendant, hand held remote control for all operations.

ADJUSTABLE

- Robotic arm extends and adjusts to reach bus placement up to 17'6" horizontally and 12' vertically within 180° arc.

HIGH PERFORMANCE

- High performance fan system for maximum exhaust removal.
- Flexible silicon/ rubber exhaust scoop for temperatures up to 800° F.
- Flexible silicon exhaust hose for temperatures up to 850° F.

HEAVY DUTY

- Rugged corrosion resistant aluminum construction.
- Minimal floor space required.

POWER: Main Electric Feed 208, 230, 480 3Ø

FAN: Exhaust Blower Fan Available In:

3 HP - 1,000 cfm

3/4 HP - 300 cfm



Wash Systems Since 1961

235 W. Florence Ave., Inglewood, CA 90301

877.NSWASH1 Fax: 310-412-1196

www.nswash.com

N/S reserves the right to discontinue or change at any time specifications or designs without notice and without incurring any obligation.