

# 5M millennium Systems



**PARTS  
MANUAL**



**NS CORPORATION**

*Quality Equipment Since 1961*

Revision: **4**

Date: **04/2019**

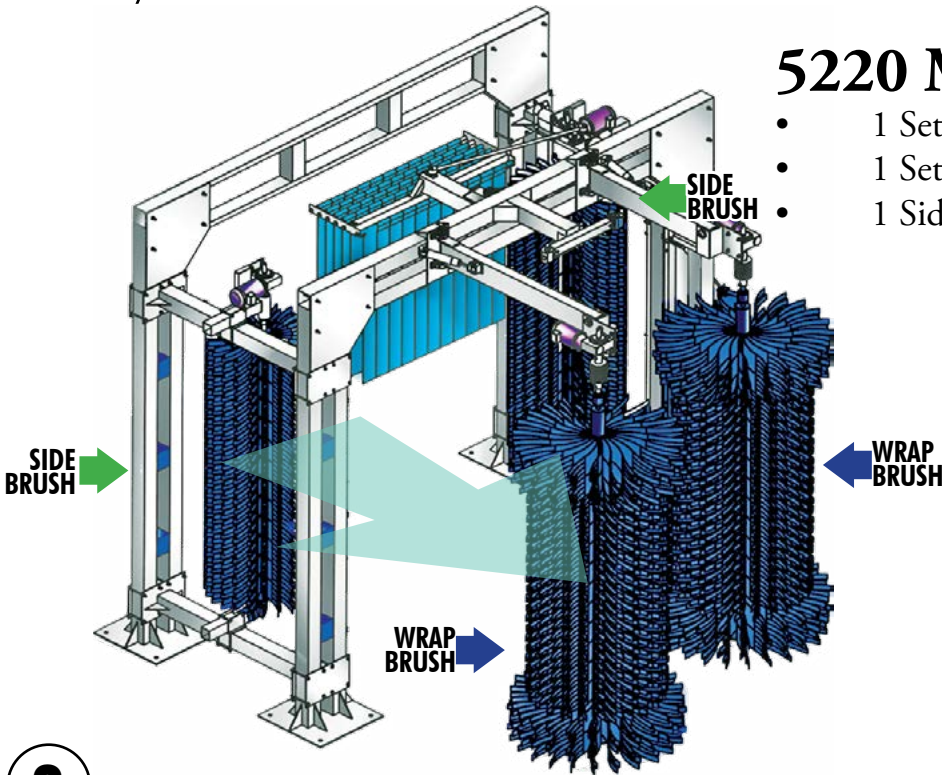
Approved by: **CA**



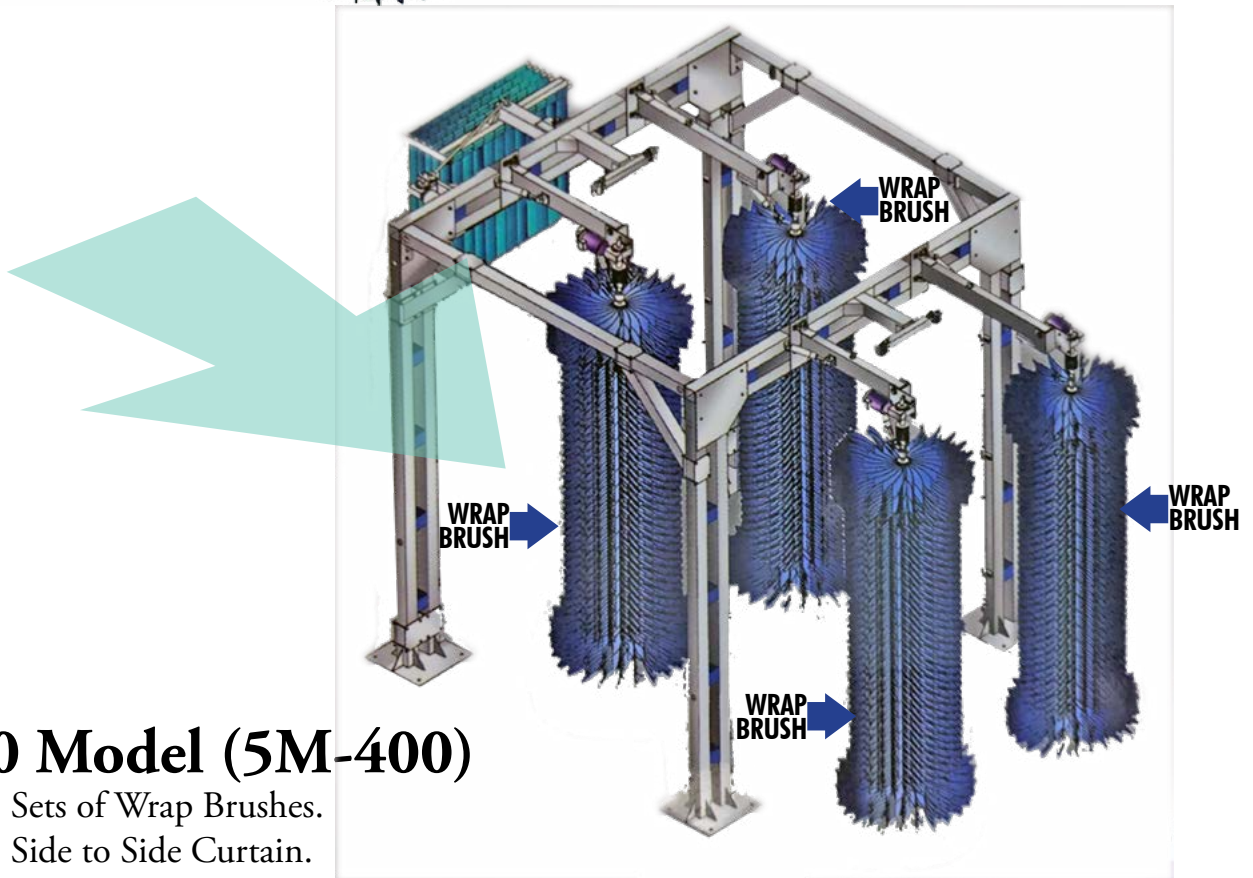
# 5000 Series Systems Features

## 5220 Model (5M-220)

- 1 Set of Side Brushes.
- 1 Set of Wrap Brushes.
- 1 Side to Side Curtain.



**2**



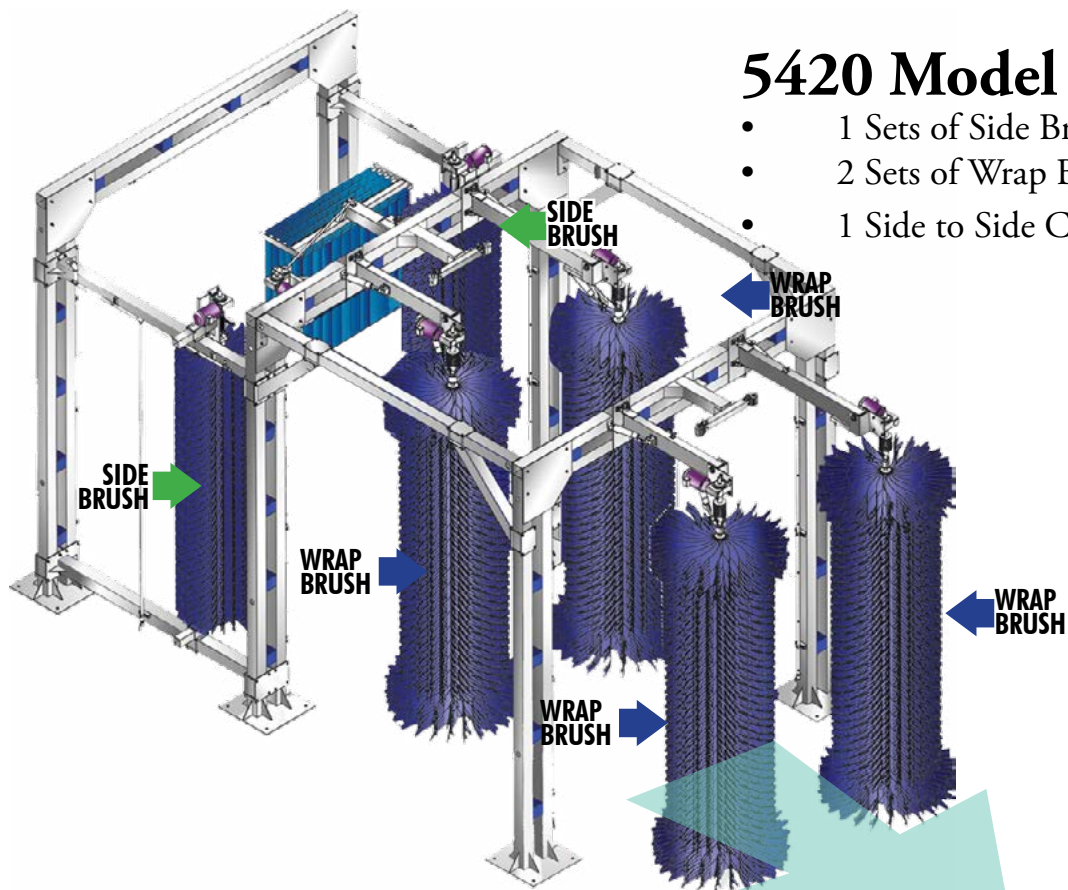
## 5400 Model (5M-400)

- 2 Sets of Wrap Brushes.
- 1 Side to Side Curtain.

**1-800-782-1582**  
**FOR PARTS & SERVICE**

**5M**Parts Manual  
Rev: 4





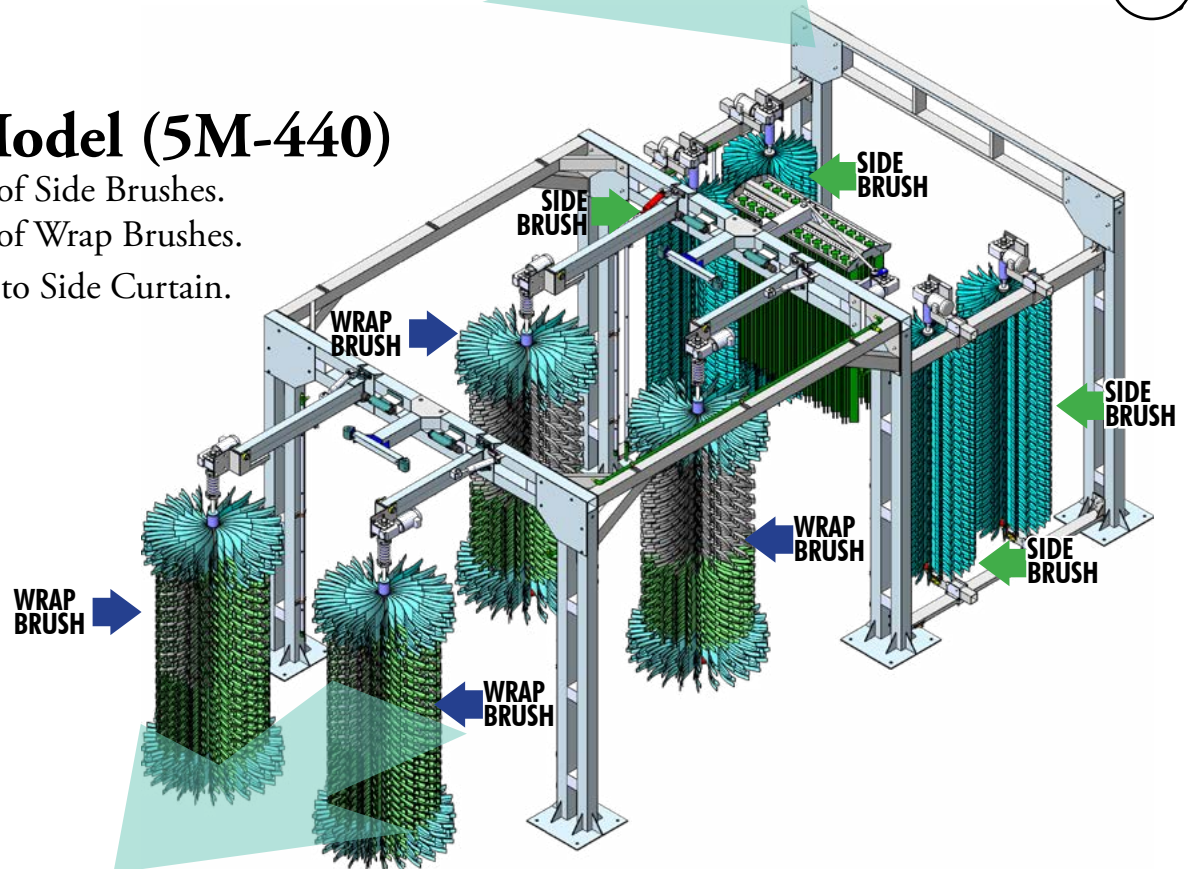
## 5420 Model (5M-420)

- 1 Sets of Side Brushes.
- 2 Sets of Wrap Brushes.
- 1 Side to Side Curtain.

3

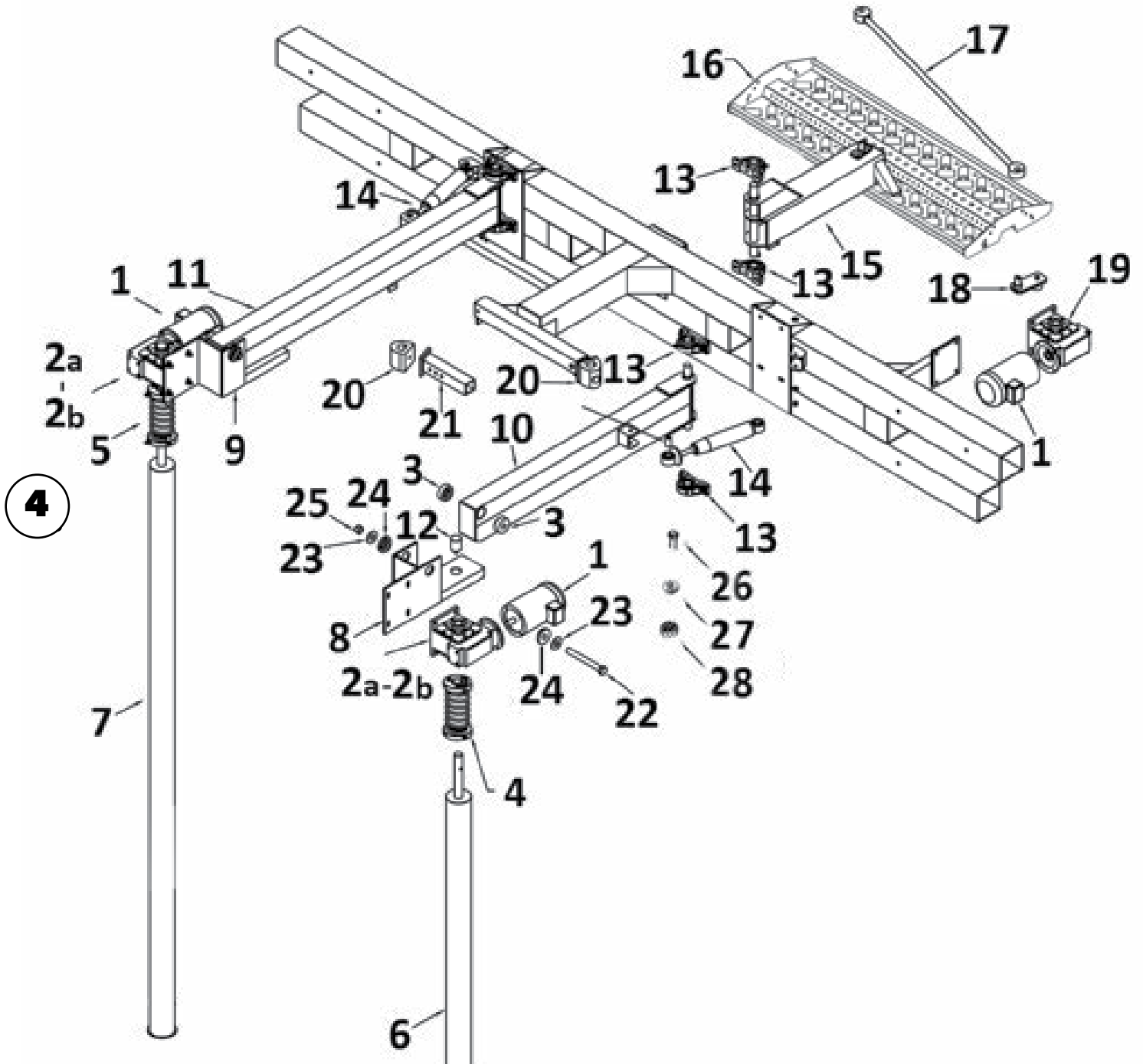
## 5440 Model (5M-440)

- 2 Sets of Side Brushes.
- 2 Sets of Wrap Brushes.
- 1 Side to Side Curtain.



# Wrap Around

## Layout



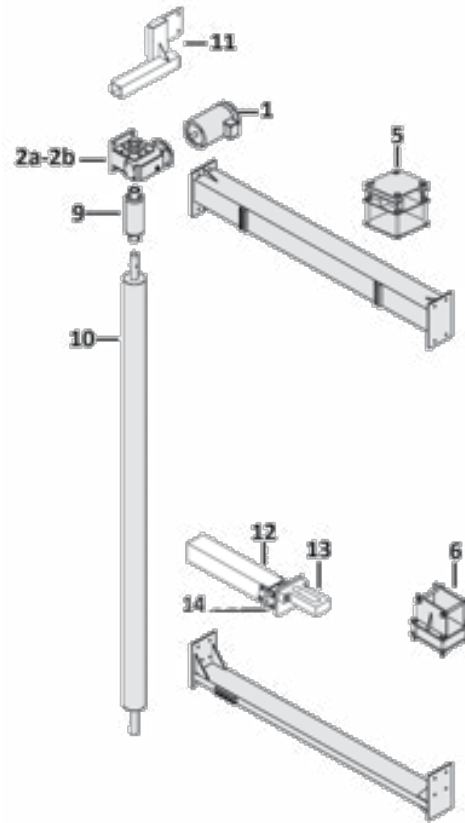
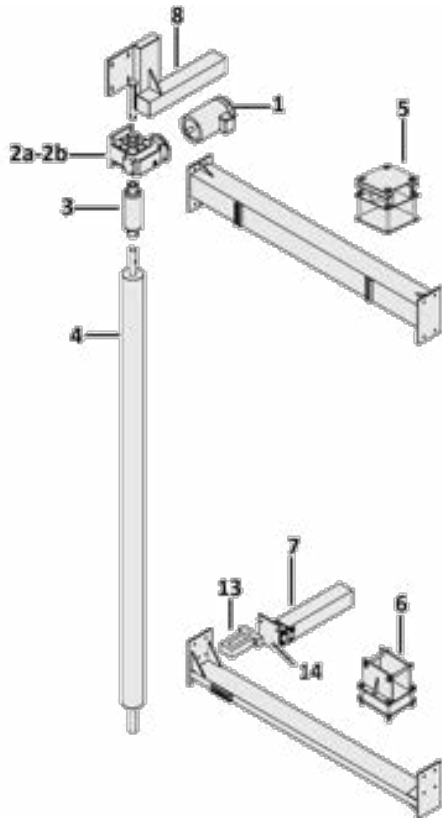
# Wrap Around

## Parts List

| Item No | Part No.        | Description   | Related to:           |
|---------|-----------------|---|-----------------------|
| 1       | 212-1001        | MOTOR FOR WRAP BRUSH (2 HP)                             | Wrap brush            |
| 2a      | 235-2141        | REDUCER FOR WRAP BRUSH (15:1 FIBER/FOAM)                | Wrap brush            |
| 2b      | 235-2142        | REDUCER FOR WRAP BRUSH (30:1 LAMMSCLOTH)                | Wrap brush            |
| 3       | 175-2002        | UHMW WRAP ARM BUSHING 3" x 2"                           | Breakaway arms        |
| 4       | 765-2509D       | SUPERFLEX COUPLING, 5000 DRIVER SIDE (YELLOW SPRING)    | Wrap brush            |
| 5       | 765-2509P       | SUPERFLEX COUPLING, 5000 PASSENGER SIDE (YELLOW SPRING) | Wrap around bulk head |
| 6       | Call Parts Dept | DRIVER SIDE WRAP BRUSH                                  | Wrap around bulk head |
| 7       | Call Parts Dept | PASSENGER SIDE WRAP BRUSH                               | Wrap around bulk head |
| 8       | 900-5020        | DRIVER SIDE BREAKAWAY ARM, 5000 SERIES                  | Wrap around bulk head |
| 9       | 900-5018        | PASSENGER SIDE BREAKAWAY ARM, 5000 SERIES               | Wrap around bulk head |
| 10      | 900-5019        | DRIVER SIDE WRAP ARM, 5000 SERIES                       | Wrap around bulk head |
| 11      | 900-5017        | PASSENGER SIDE WRAP ARM, 5000 SERIES                    | Breakaway arms        |
| 12      | 640-1600        | BUMPER 3" COMPLETE WITH NUT AND WASHERS                 | Breakaway arms        |
| 13      | 610-1010        | 1¼¼ PILLow BLOCK BEARING, HEAVY DUTY                    | Wrap around bulk head |
| 14      | 760-1610        | 13-½" SHOCK COMPLETE WITH BUSHINGS                      | Wrap around bulk head |
| 15      | 900-5015        | 5M SCRUBBER ARM SIDE TO SIDE                            | Curtain mitter        |
| 16      | 900-0549        | LOOP STYLE SCRUBBER RACK                                | Curtain mitter        |
| 17      | 900-0464        | CONNECTING ROD ASSEMBLY, 57"                            | Curtain mitter        |
| 18      | 900-0550        | 1-7/16 CRANK ARM FOR MITTER                             | Curtain mitter        |
| 19      | 235-2143        | REDUCER FOR CURTAIN MITTER (40:1)                       | Curtain mitter        |
| 20      | 640-1603        | HARD ARM BUMPER   | Wrap around bulk head |
| 21      | 900-5016        | WRAP BRUSH BUMPER BRACKET                               | Wrap around bulk head |
| 22      | 820-1567        | 1" X 9" STAINLESS STEEL CAP SCREW                       | Breakaway arms        |
| 23      | 870-1700        | 1" STAINLESS STEEL FLAT WASHER                          | Breakaway arms        |
| 24      | 160-1098-.75    | BREAKAWAY BUSHING, 2-½" DIA x ¾" x 1"                   | Breakaway arms        |
| 25      | 840-5003        | 1" STAINLESS STEEL LOCK NUT                             | Breakaway arms        |
| 26      | 820-1534        | ½" x ¾" STAINLESS STEEL BOLT                            | Breakaway arms        |
| 27      | 870-1501        | ½" STAINLESS STEEL THICK WASHER                         | Breakaway arms        |
| 28      | 840-2000        | ½" STAINLESS STEEL LOCK NUT                             | Breakaway arms        |

# Side Brush

## Layout & Parts List



**6**

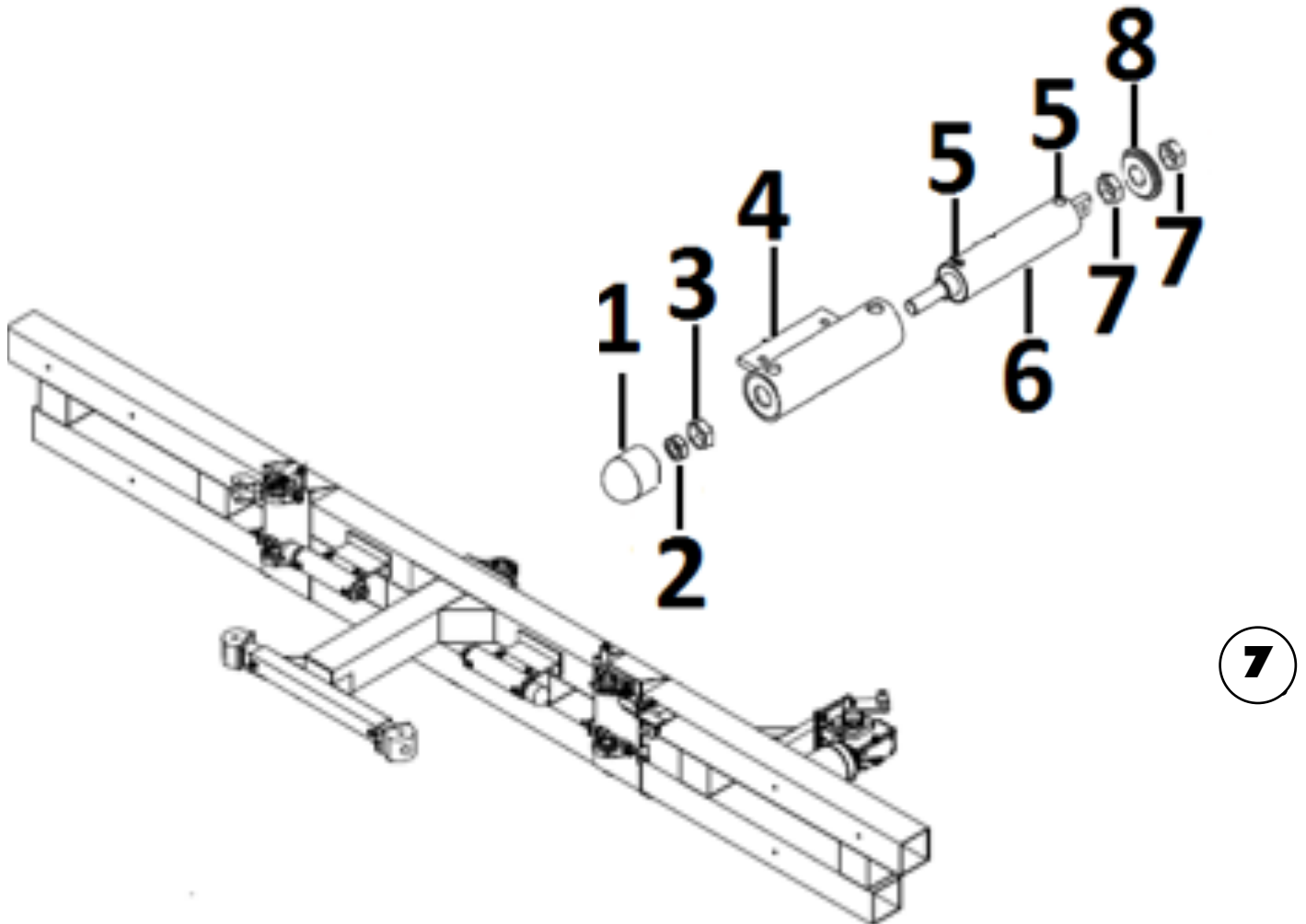
### DRIVER SIDE

### PASSENGER SIDE

| Item No | Part No.        | Description                                   | Related to:                |
|---------|-----------------|---|----------------------------|
| 1       | 212-1001        | Motor For Side Brush (2 Hp)                   | Top Of Side Brush Frame    |
| 2a      | 235-2141        | Reducer For Side Brush (15:1 Fiber/Foam)      | Top Of Side Brush Frame    |
| 2b      | 235-2142        | Reducer For Side Brush (30:1 Lammscloth)      | Top Of Side Brush Frame    |
| 3       | 766-1000        | Passenger Side Coupling, Blue                 | Top Of Side Brush Frame    |
| 4       | Call Parts Dept | Driver Side, Side Brush                       | Side Brush                 |
| 5       | 900-5024-1      | Side Brush Mounting Bracket (Top)             | Top Of Side Brush Frame    |
| 6       | 900-5024        | Side Brush Mounting Bracket (Bottom)          | Bottom Of Side Brush Frame |
| 7       | 900-5026D       | Side Brush Bottom Arm Assembly Driver Side    | Bottom Of Side Brush Frame |
| 8       | 900-0237D       | Side Brush Gearbox Arm, Driver Side           | Top Of Side Brush Frame    |
| 9       | 766-2000        | Driver Side Coupling, Blue                    | Top Of Side Brush Frame    |
| 10      | Call Parts Dept | Passenger Side, Side Brush                    | Side Brush                 |
| 11      | 900-0237P       | Side Brush Gearbox Arm, Passenger Side        | Top Of Side Brush Frame    |
| 12      | 900-5026P       | Side Brush Bottom Arm Assembly Passenger Side | Bottom Of Side Brush Frame |
| 13      | 900-0021        | Side Brush UHMW Guide                         | Side Brush Bottom Arm      |
| 14      | 800-3250        | 4" Stainless Steel Hinge                      | Side Brush Bottom Arm      |

# Air Retract

## Layout & Parts List

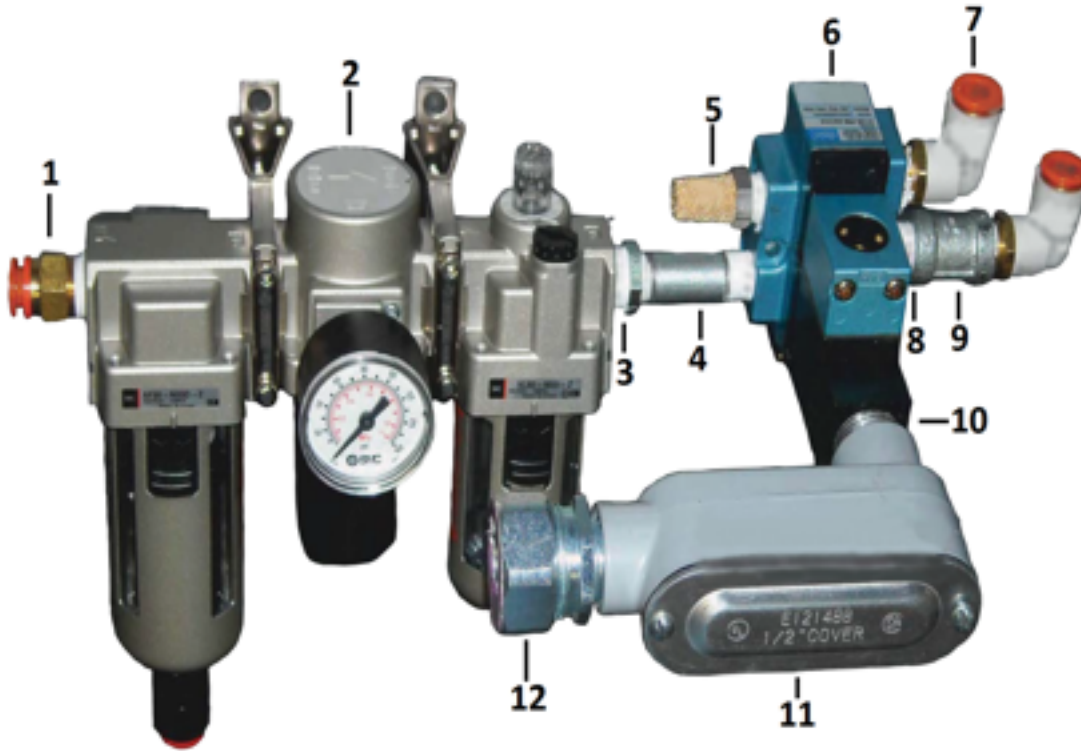


| Item No | Part No.   | Description                       | Related to: |
|---------|------------|-----------------------------------|-------------|
| 1       | 640-1599   | UHMW BLACK AIR CYLINDER BUMPER    | AIR RETRACT |
| 2       | 840-1322   | 1" JAM NUT STAINLESS STEEL        | AIR RETRACT |
| 3       | 840-1324   | SILVER JAM NUT FOR SHAFT          | AIR RETRACT |
| 4       | 900-0481   | ALUMINUM AIR RETRACT BRACKET      | AIR RETRACT |
| 5       | 465-1809   | 3/8" NPT X 3/8" QC POLY CONNECTOR | AIR RETRACT |
| 6       | 440-1252-P | 2-1/2" OVERSIZED PARKER CYLINDER  | AIR RETRACT |
| 7       | 840-1323   | GOLD JAM NUT FOR END              | AIR RETRACT |
| 8       | 945-0156   | END WASHER FOR AIR RETRACT        | AIR RETRACT |



# 3/8" Air Trio Manifold Brush

NS PART # AIR-015A



8

| Item No | Part No. | Description                    | Related to:                 |
|---------|----------|--------------------------------|-----------------------------|
| 1       | 465-1809 | 3/8" POLY X 3/8" NPT CONNECTOR | 3/8" AIR TRIO MANIFOLD      |
| 2       | 460-0082 | 3/8" COMBO FILTER              | 3/8" AIR TRIO MANIFOLD      |
| 3       | 405-1198 | 1/4" X 3/8" GALVANIZED BUSHING | 3/8" AIR TRIO MANIFOLD      |
| 4       | 500-1206 | 1/4 X 3" GALVANIZED NIPPLE     | 3/8" AIR TRIO MANIFOLD      |
| 5       | 630-1018 | 1/4" MPT MUFFLER               | 3/8" AIR TRIO MANIFOLD      |
| 6a      | KIN-06A  | 1/4" MAC VALVE 120V SOLENOID   | 3/8" AIR TRIO MANIFOLD 120V |
| 6b      | KIN-06   | 1/4" MAC VALVE 24V SOLENOID    | 3/8" AIR TRIO MANIFOLD 24V  |
| 7       | 465-1622 | 1/4" NPT X 3-8" POLY ELBOW     | 3/8" AIR TRIO MANIFOLD      |
| 8       | 500-1200 | 1/4" CLOSED NIPPLE             | 3/8" AIR TRIO MANIFOLD      |
| 9       | 420-1400 | 1/4" GALVANIZED COUPLING       | 3/8" AIR TRIO MANIFOLD      |
| 10      | 500-1400 | 1/2" CLOSED NIPPLE             | 3/8" AIR TRIO MANIFOLD      |
| 11      | 320-1038 | 1/2"ALUM LB BOX                | 3/8" AIR TRIO MANIFOLD      |
| 12      | 350-1050 | 1/2" CORD CONNECTOR (BLUE)     | 3/8" AIR TRIO MANIFOLD      |



# Coupling Accesories

## Side Brush



**766-2000**  
*Driver Side Coupling*



**766-1000**  
*Passenger Side Coupling*

9



**820-1545**  
*1/2" x 3/4" Cap Screw*  
*2 Bolts per coupling*



**840-2000**  
*1/2" ss Lock Nut*  
*2 Lock Nuts per coupling*



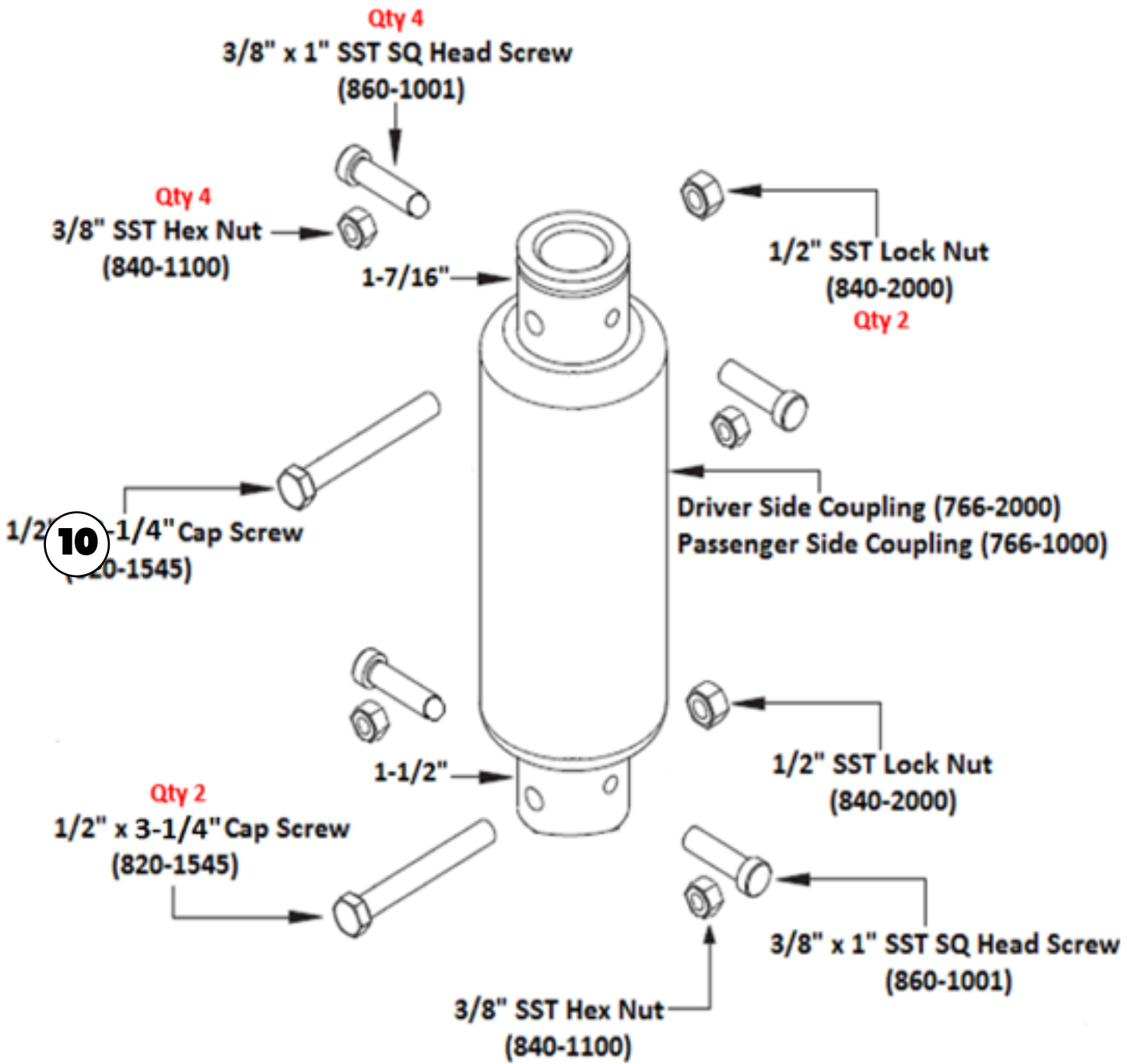
**860-1001**  
*3/8" x 1" ss Sq Head Screw*  
*4 Screws per coupling*



**840-1100**  
*3/8" ss Hex Nut*  
*4 Hex Nuts per coupling*

# Coupling

## Side Brush



# Super Flex Accesories

## Wrap Brush

5M Super Flex Coupling



765-2509D  
Driver



765-2509P  
Passenger

11



820-1551  
1/2" x 6 1/2" Cap Screw  
2 cap screws per coupling



810-0999  
1/2" x 1 3/4" ss Shoulder Bolt  
4 Bolts per coupling



820-1882  
1/2" Military Washer  
4 washers per coupling



840-1325  
1/2" ss Jam Nut  
2 Jam Nuts per coupling

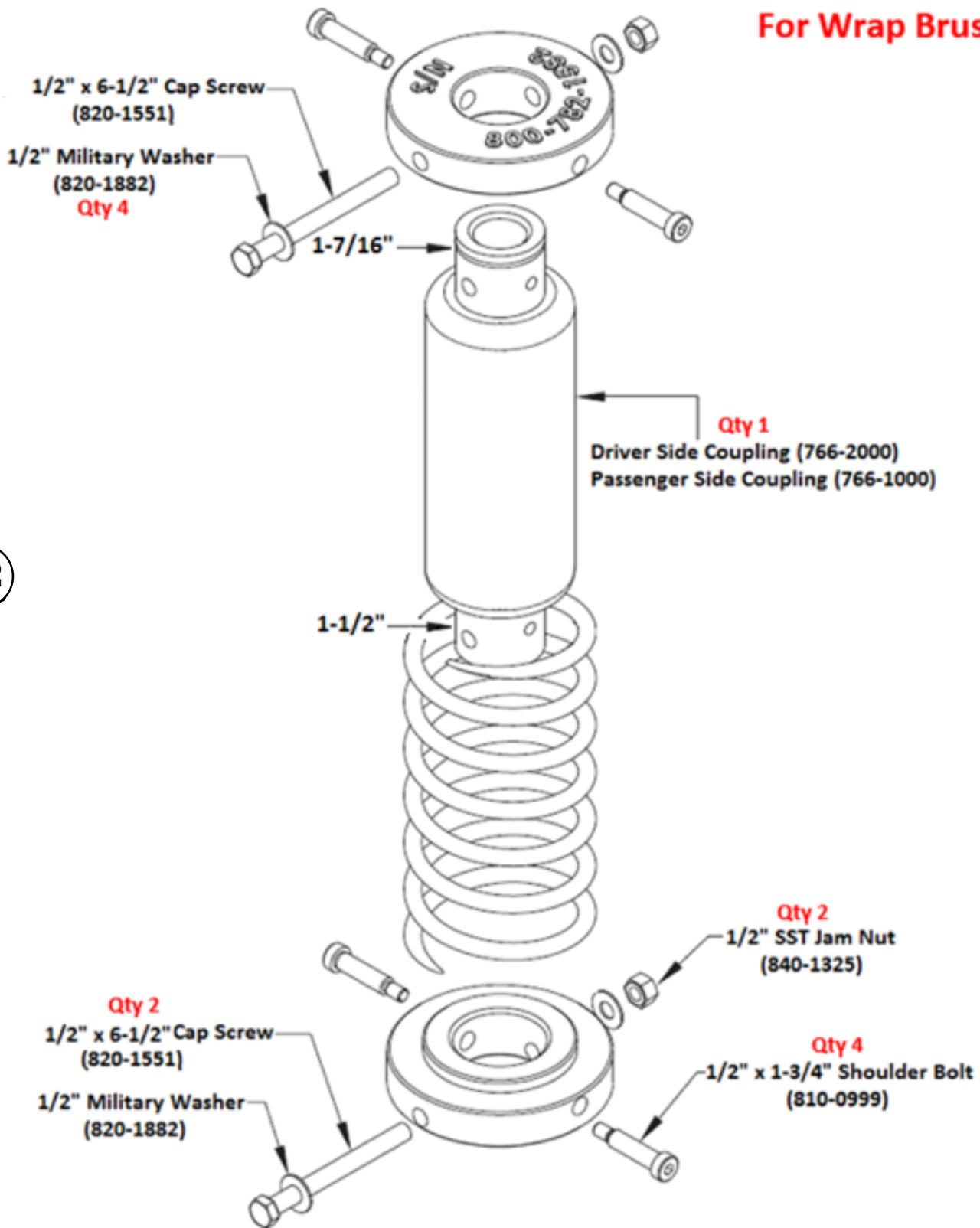


# Super Flex Accesories

## Wrap Brush

**For Wrap Brush**

**12**



# Fiber Brush Pelts



**630-1276**  
*48" Half Silver Fiber Pelt*



**630-1280**  
*48" Full Blue Fiber Pelt*



**630-1292**  
*60" Black Fiber Pelt*



**630-1293**  
*60" Half Blue/Silver Fiber Pelt*

# Fiber Brushes

Hardware



825-1260

*Brush Pelt Rivets (3 rivets per pelt)*

## **14** Foam Brushes

Hardware



860-1118

*#12 x 2" Stainless Steel Screw*



820-1244

*5/8" O.D. Bonded Seal Washer*



# Foam Brush Pelts



**630-1540**  
*48" Full Foam Pelt*



**630-1541**  
*48" Half Foam Pelt*



**630-1543**  
*60" Full Foam Pelt*



**630-1542**  
*60" Half Foam Pelt Pelt*

# Brush Accessories

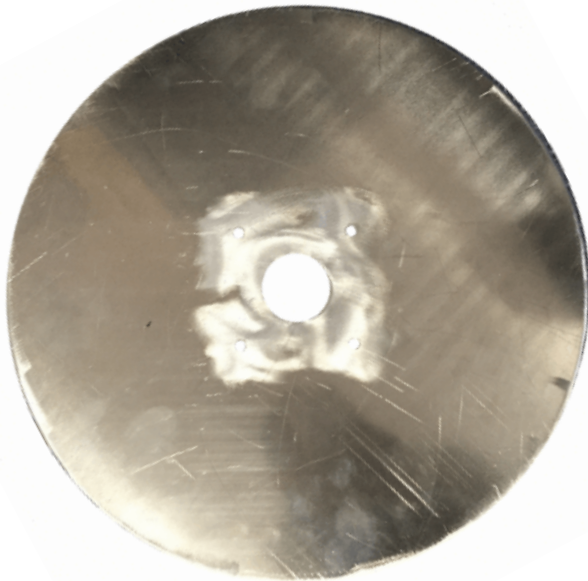


**710-1095**  
*18" Rubber Disc*



**710-1088**  
*16" Rubber Disc*

**16**



**710-0010**  
*14" Aluminum Disc*



**710-0009**  
*5½" Aluminum Disc*

# Curtain Styles

Loop or Rod

## LOOP STYLE



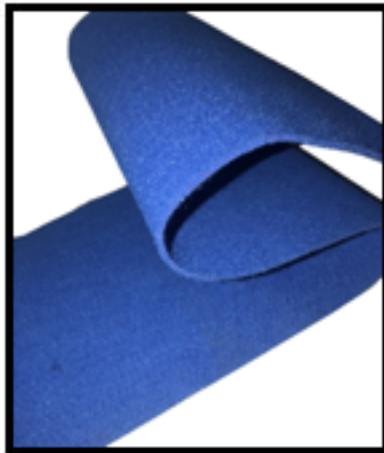
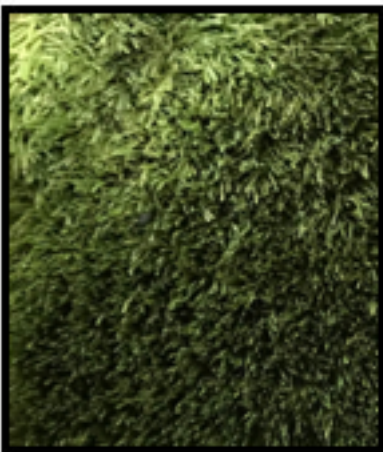
## ROD STYLE



17

## Curtain Materials

Ozite, Felt or Lammscloth





# Table of Contents

5000 Series  
     Systems Features .....2  
 Wrap Around  
     Layout .....4  
 Wrap Around  
     Parts List .....5  
 Side Brush  
     Layout & Parts List .....6  
 Air Retract  
     Layout & Parts List .....7  
 3/8" Air Trio Manifold Brush  
     NS PART # AIR-015A .....8  
 Coupling Accesories  
     Side Brush .....9  
 Coupling  
     Side Brush .....10  
 Super Flex Accesories  
     Wrap Brush .....11  
 Super Flex Accesories  
     Wrap Brush .....12  
 Fiber Brush Pelts  
 Fiber Brushes  
     Hardware .....14  
 Foam Brushes  
     Hardware .....14  
 Foam Brush Pelts  
 Brush Accesories  
 Curtain Styles  
     Loop or Rod .....17  
 Curtain Materials  
     Ozite, Felt or Lammscloth .....17  
 Table of Contents  
 Part Numbers  
     List .....19

**18**

# Part Numbers

## List

|                    |    |                  |    |
|--------------------|----|------------------|----|
| 160-1098-.75 ..... | 5  | 766-2000 .....   | 9  |
| 175-2002 .....     | 5  | 800-3250 .....   | 6  |
| 212-1001.....      | 5  | 810-0999.....    | 11 |
| 212-1001.....      | 6  | 820-1244 .....   | 14 |
| 235-2141 .....     | 5  | 820-1534 .....   | 5  |
| 235-2141 .....     | 6  | 820-1545 .....   | 9  |
| 235-2142 .....     | 5  | 820-1551 .....   | 11 |
| 235-2142 .....     | 6  | 820-1567 .....   | 5  |
| 235-2143 .....     | 5  | 820-1882 .....   | 11 |
| 320-1038 .....     | 8  | 825-1260 .....   | 14 |
| 350-1050 .....     | 8  | 840-1100 .....   | 9  |
| 405-1198 .....     | 8  | 840-1322 .....   | 7  |
| 420-1400 .....     | 8  | 840-1323 .....   | 7  |
| 440-1252-P.....    | 7  | 840-1324 .....   | 7  |
| 460-0082.....      | 8  | 840-1325 .....   | 11 |
| 465-1622 .....     | 8  | 840-2000.....    | 5  |
| 465-1809 .....     | 7  | 840-2000.....    | 9  |
| 465-1809 .....     | 8  | 840-5003.....    | 5  |
| 500-1200 .....     | 8  | 860-1001 .....   | 9  |
| 500-1206.....      | 8  | 860-1118 .....   | 14 |
| 500-1400 .....     | 8  | 870-1501 .....   | 5  |
| 610-1010.....      | 5  | 870-1700 .....   | 5  |
| 630-1018 .....     | 8  | 900-0021.....    | 6  |
| 630-1276 .....     | 13 | 900-0237D.....   | 6  |
| 630-1280 .....     | 13 | 900-0237P.....   | 6  |
| 630-1292 .....     | 13 | 900-0464.....    | 5  |
| 630-1293 .....     | 13 | 900-0481.....    | 7  |
| 630-1540 .....     | 15 | 900-0549.....    | 5  |
| 630-1541.....      | 15 | 900-0550.....    | 5  |
| 630-1542.....      | 15 | 900-5015.....    | 5  |
| 630-1543.....      | 15 | 900-5016.....    | 5  |
| 640-1599 .....     | 7  | 900-5017.....    | 5  |
| 640-1600 .....     | 5  | 900-5018.....    | 5  |
| 640-1603 .....     | 5  | 900-5019.....    | 5  |
| 710-0009.....      | 16 | 900-5020.....    | 5  |
| 710-0010 .....     | 16 | 900-5024.....    | 6  |
| 710-1088 .....     | 16 | 900-5024-1 ..... | 6  |
| 710-1095 .....     | 16 | 900-5026D.....   | 6  |
| 760-1610.....      | 5  | 900-5026P .....  | 6  |
| 765-2509D.....     | 5  | 945-0156.....    | 7  |
| 765-2509D.....     | 11 | KIN-06.....      | 8  |
| 765-2509P.....     | 5  | KIN-06A.....     | 8  |
| 765-2509P.....     | 11 |                  |    |
| 766-1000 .....     | 6  |                  |    |
| 766-1000 .....     | 9  |                  |    |
| 766-2000 .....     | 6  |                  |    |



Quality Management System • Certified By DNV • ISO 9001

*Manufacturers of Vehicle Cleaning Equipment Since 1961*

# **NS** CORPORATION

*235 West Florence Avenue  
Inglewood, California 90301*

**1-800-782-1582**

*Parts: Extension **2***

*Service: Extension **3***

*Fax 310-412-2367*

**[www.nswash.com](http://www.nswash.com)**

Due to Continuous research N/S Corporation reserves the right to upgrade or change at any time, specifications, or designs without notice and without incurring any obligations. Copyright © 2019 NS Corporation.