



PARTS MANUAL



Revision: **4**
Date: **05/2019**
Approved by: **CA**



ECO Lammsecloth Series

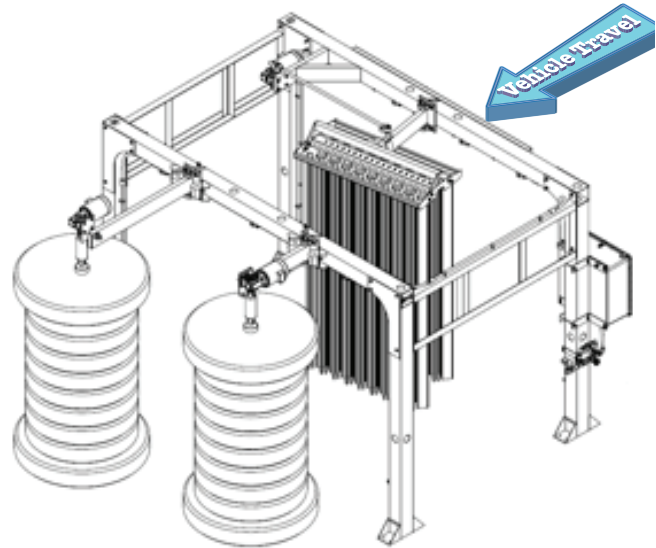
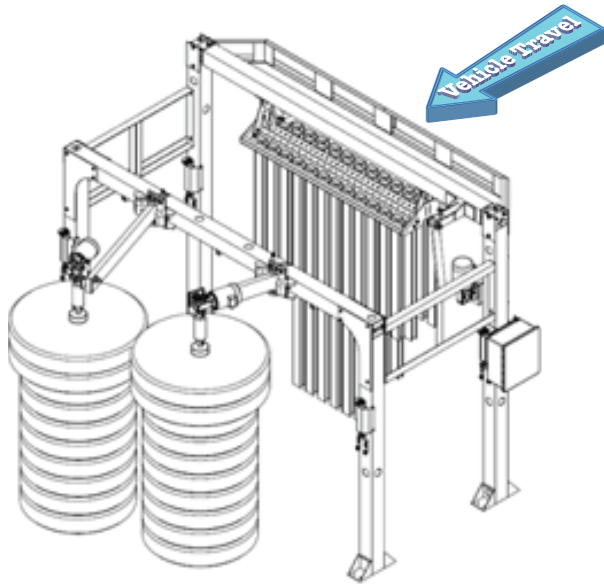


NS CORPORATION

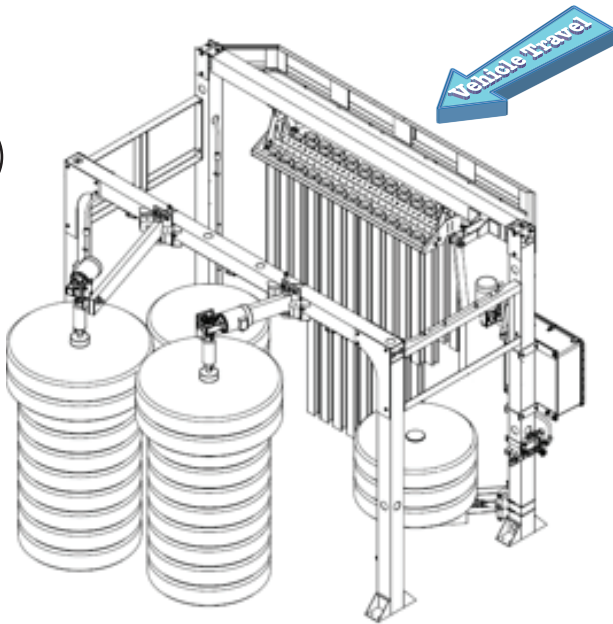
Quality Equipment Since 1961

ECO System

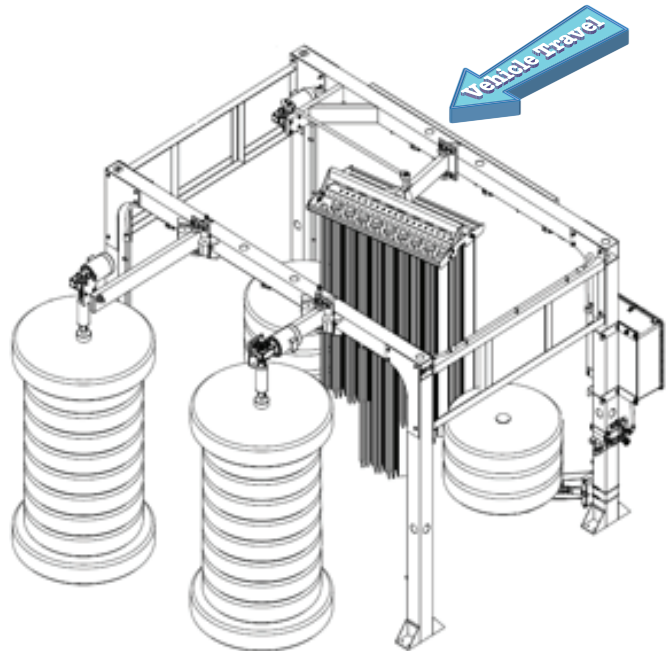
3FR to 5SS



2



ECO 5FR

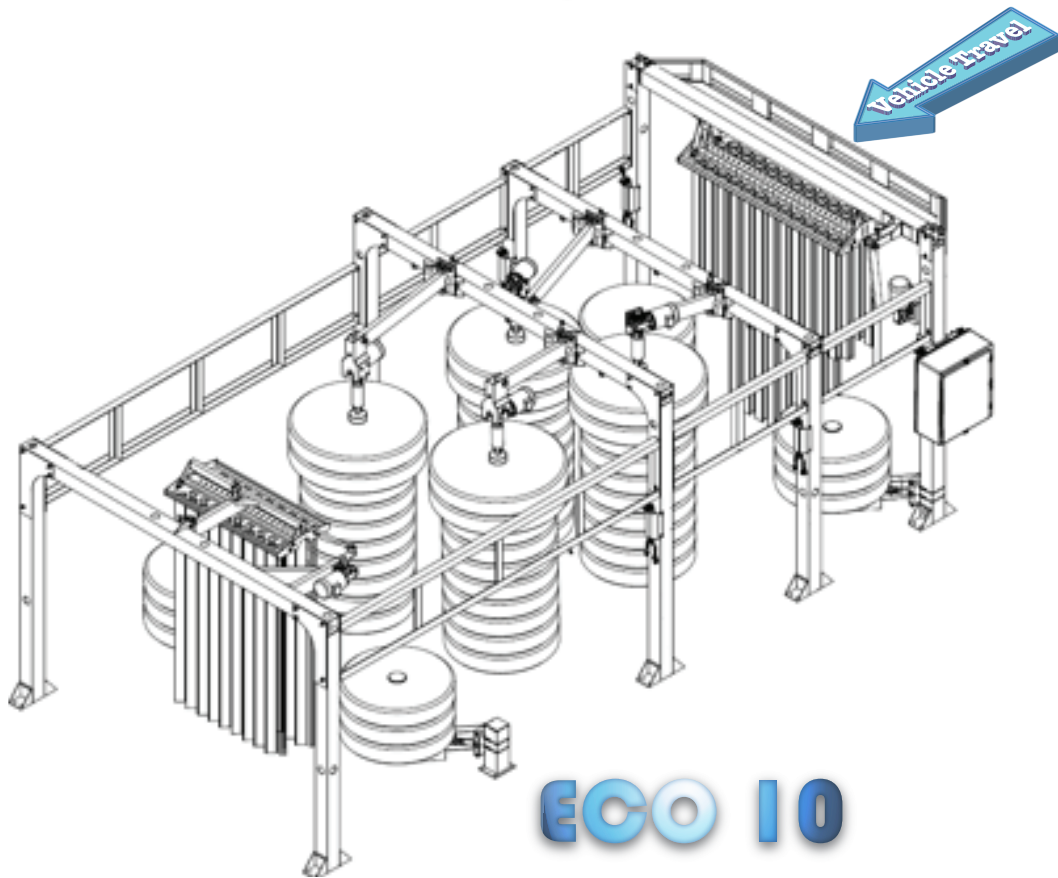
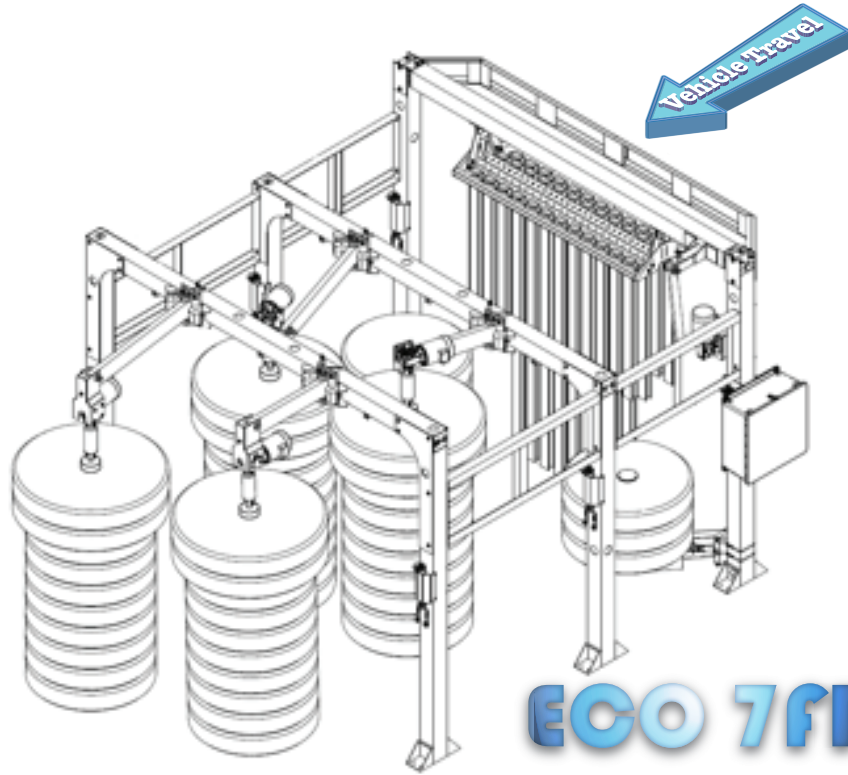


ECO 5SS

800-782-1582 ext.: **3** for parts

ECO System

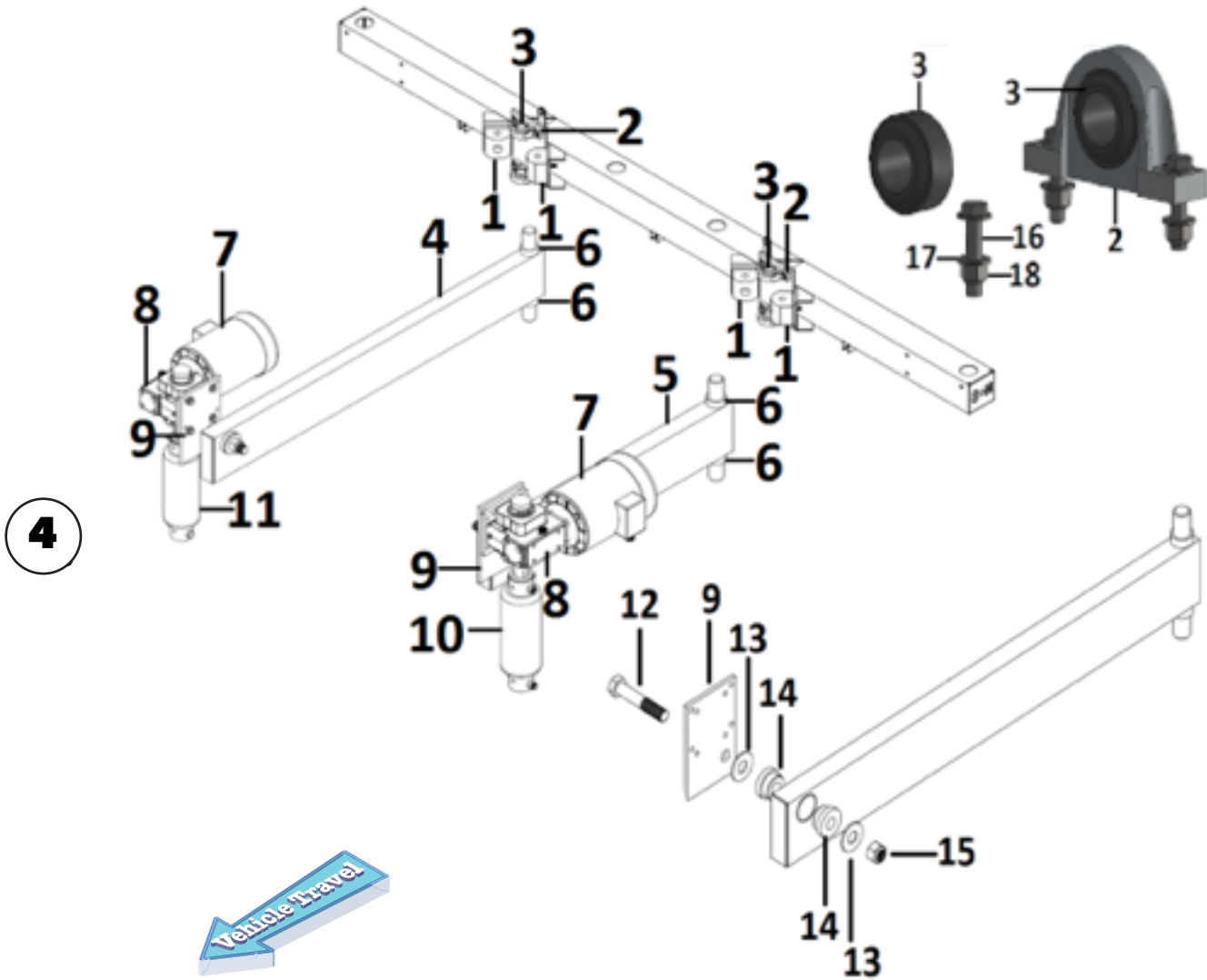
7FR to ECO10



3

ECO Wrap Around

Layout



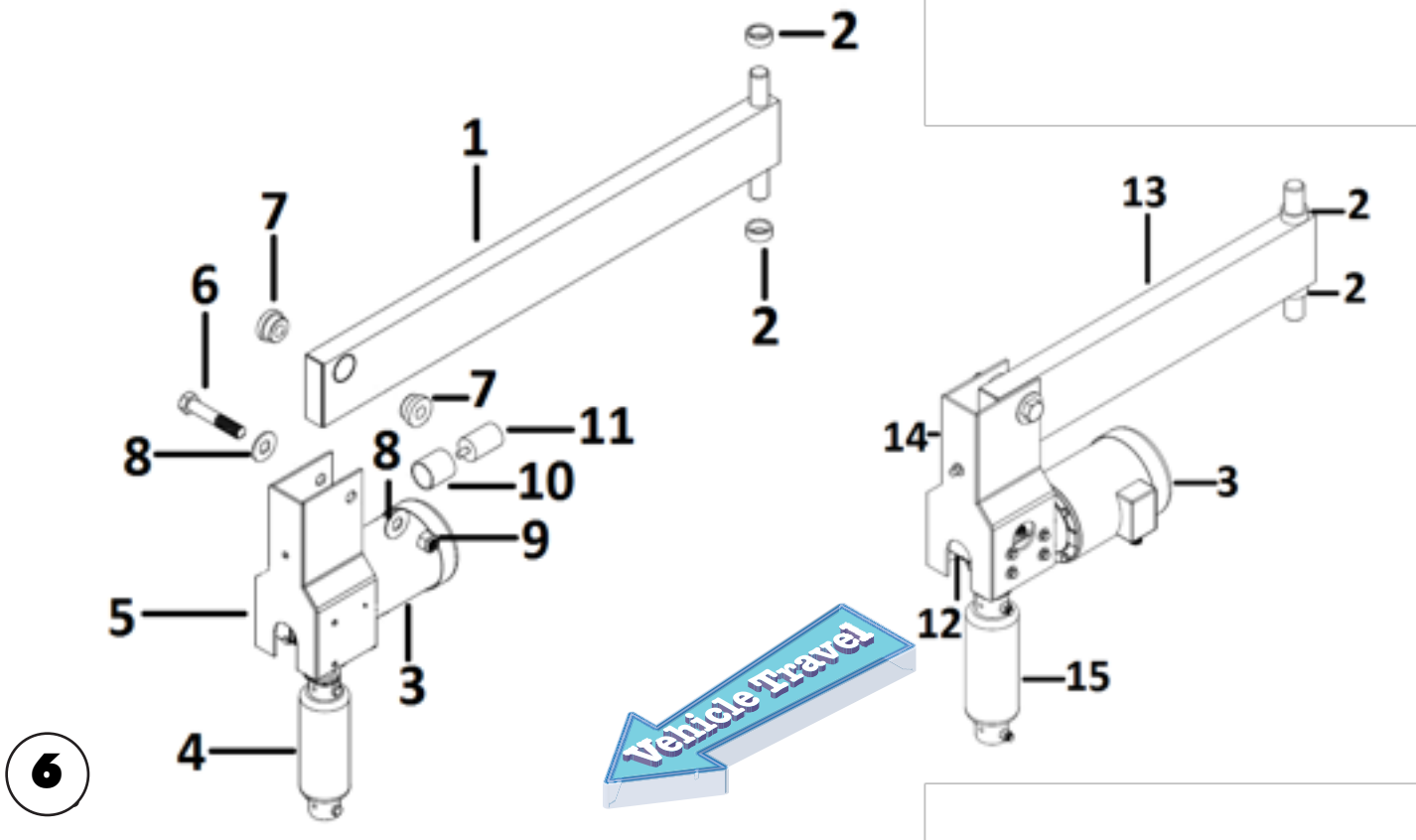
ECO Wrap Around

Parts List

Item No	Part No.	Description	Related to:
1	640-1603	HARD ARM BUMPER	ECO WRAP AROUND
2	610-1301	1-1/2" BEARING HOUSING	ECO WRAP AROUND
3	610-1340	1-1/2" BEARING INSERT	ECO WRAP AROUND
4	630-1043	PASSENGER SIDE WRAP ARM	ECO WRAP AROUND
5	630-1044	DRIVER SIDE WRAP ARM	ECO WRAP AROUND
6	900-0012	WRAP ARM SPACER	ECO WRAP AROUND
7	212-1004	½ HP MOTOR	ECO WRAP AROUND
8	235-2133	30:1 920 REDUCER WITH 1-7/16" SHAFT	ECO WRAP AROUND
9	630-1029	920 MOUNTING PLATE	ECO WRAP AROUND
10	766-2000	DRIVER SIDE BLUE COUPLING	ECO WRAP AROUND
11	766-1000	PASSENGER SIDE BLUE COUPLING	ECO WRAP AROUND
12	820-1561	1" X 5-1/2" STAINLESS STEEL BOLT	ECO WRAP AROUND
13	870-1700	1" STAINLESS STEEL FLAT WASHER	ECO WRAP AROUND
14	900-0006	RED WRAP ARM BUSHING	ECO WRAP AROUND
15	840-5003	1" STAINLESS STEEL LOCK NUT	ECO WRAP AROUND
16	820-1534	½" X 2-3/4" STAINLESS STEEL BOLT	ECO WRAP AROUND
17	870-1501	½" STAINLESS STEEL THICK WASHER	ECO WRAP AROUND
18	840-2000	½" STAINLESS STEEL LOCK NUT	ECO WRAP AROUND

ECO Wrap Around Tall

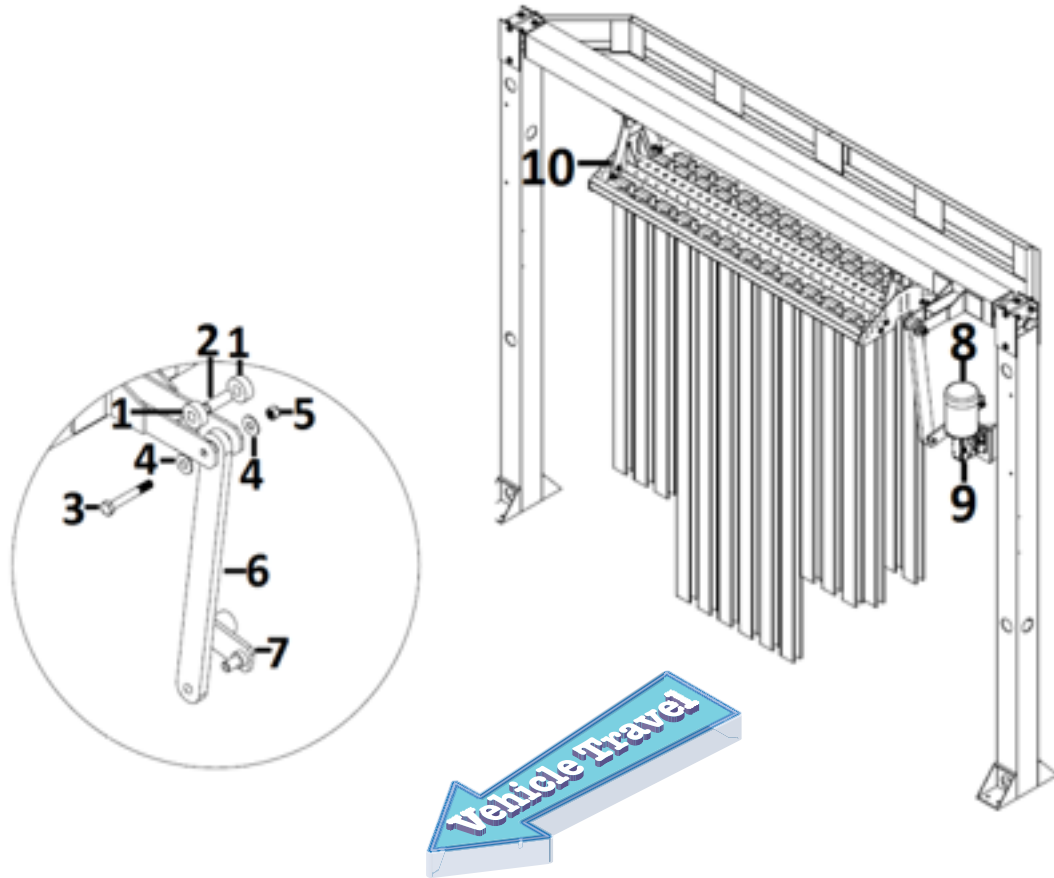
Layout & Parts List



Item No	Part No.	Description	Related to:
1	630-1043	PASSENGER SIDE WRAP ARM	Eco Wrap Around
2	900-0012	WRAP ARM SPACER	Eco Wrap Around
3	212-1004	½ HP MOTOR	Eco Wrap Around
4	766-1000	PASSENGER SIDE BLUE COUPLING	Eco Wrap Around
5	630-1125-ECO	Passenger Side Break Away Assembly (W/Hardware)	Eco Wrap Around
6	820-1561	1" X 5-1/2" STAINLESS STEEL BOLT	Eco Wrap Around
7	900-0006	RED WRAP ARM BUSHING	Eco Wrap Around
8	870-1700	1" STAINLESS STEEL FLAT WASHER	Eco Wrap Around
9	840-5003	1" STAINLESS STEEL LOCK NUT	Eco Wrap Around
10	630-1111	3" BUMPER PROTECTOR	Eco Wrap Around
11	640-1600	3" BUMPER	Eco Wrap Around
12	235-2133	30:1 920 REDUCER WITH 1-7/16" SHAFT	Eco Wrap Around
13	630-1044	DRIVER SIDE WRAP ARM	Eco Wrap Around
14	630-1126-ECO	Driver Side Break Away Arm Assembly (W/Hardware)	Eco Wrap Around
15	766-2000	DRIVER SIDE BLUE COUPLING	Eco Wrap Around

ECO Front to Rear Curtain

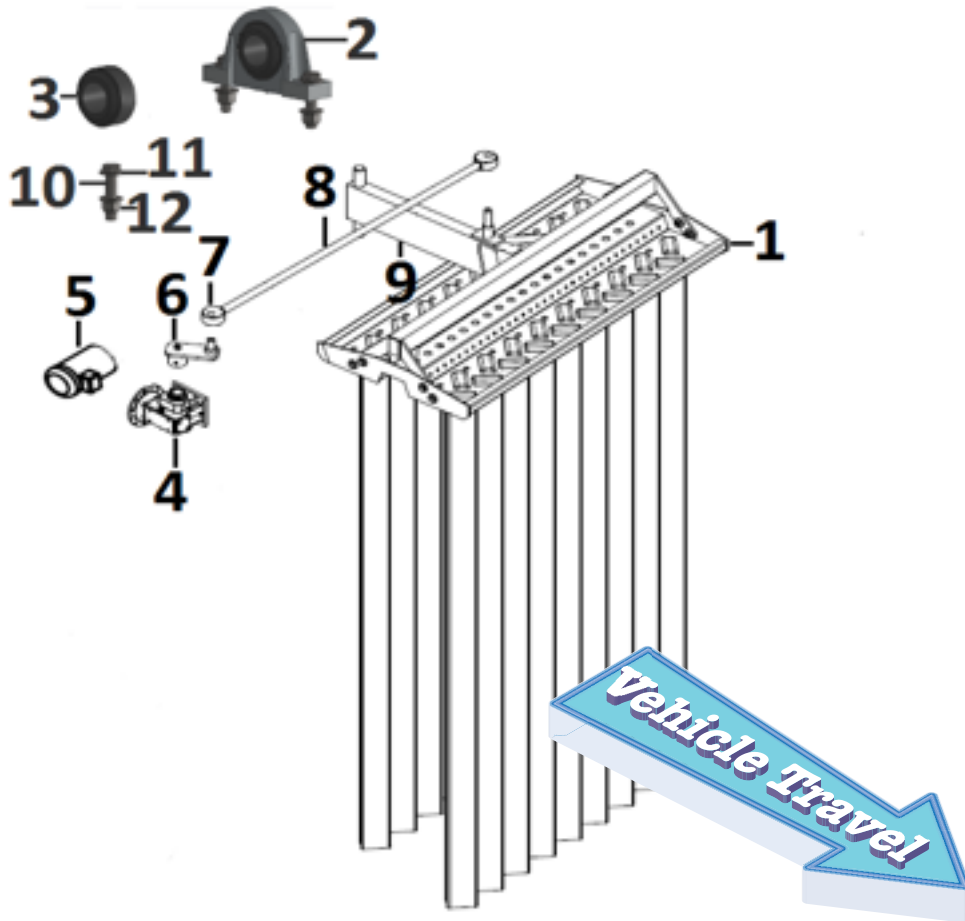
Layout & Parts List



Item No	Part No.	Description	Related to:
1	900-0109	2-1/2" O.D X 1-5/16" X 1" I.D Front To Rear Spacer	Front To Rear Curtain
2	900-0119	3" FRONT TO REAR SLEEVE	Front To Rear Curtain
3	820-1872	3/4" X 5-1/2" STAINLESS STEEL BOLT	Front To Rear Curtain
4	870-1602	3/4" STAINLESS STEEL WASHER	Front To Rear Curtain
5	840-2200	3/4" STAINLESS STEEL LOCK NUT	Front To Rear Curtain
6	900-0522	33" FRONT TO REAR CONNECTING ROD	Front To Rear Curtain
7	900-0550	1-7/16" MITTER CRANK	Front To Rear Curtain
8	212-1000	1 HP MOTOR	Front To Rear Curtain
9	235-2134	40:1 920 REDUCER WITH 1-7/16 SHAFT	Front To Rear Curtain
10	900-0593	FRONT TO REAR CURTAIN RACK	Front To Rear Curtain

ECO Side to Side Curtain

Layout & Parts List

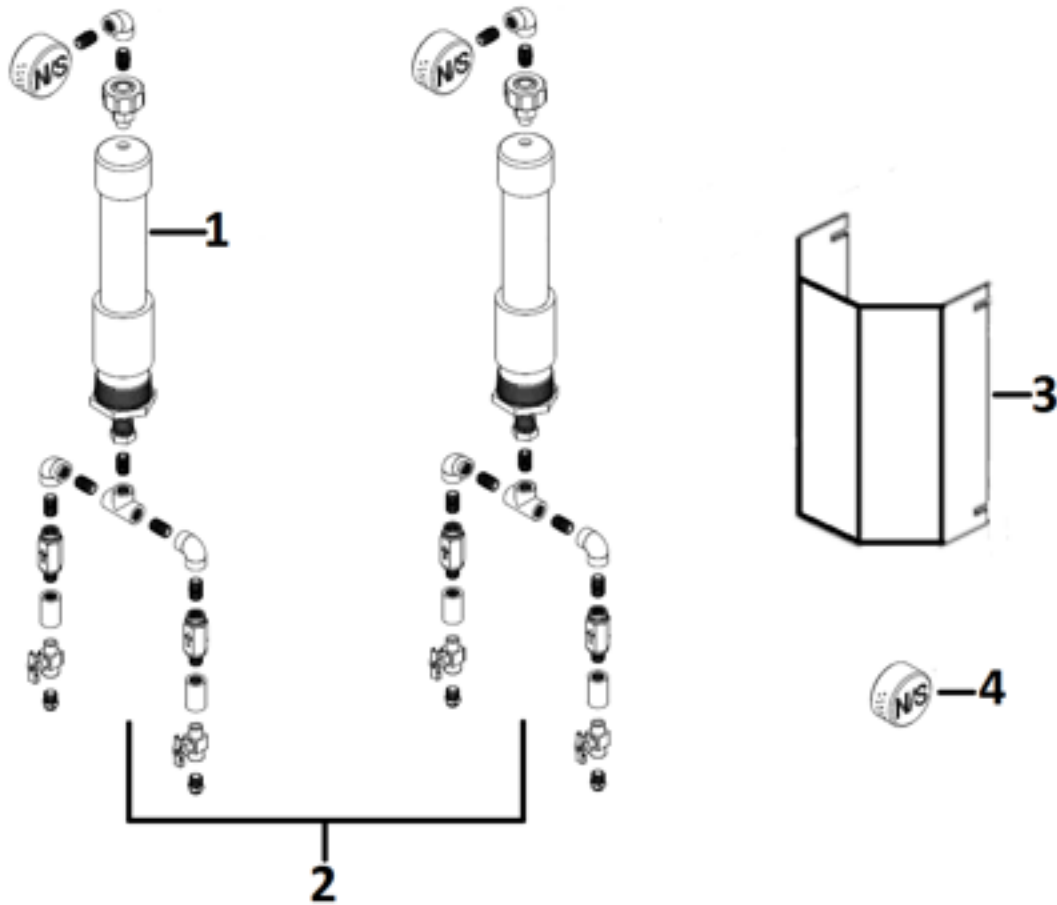


8

Item No	Part No.	Description	Related to:
1	900-0540	ECO SIDE TO SIDE CURTAIN RACK	Side To Side Curtain
2	610-1301	1-1/2" BEARING HOUSING	Side To Side Curtain
3	610-1340	1-1/2" BEARING INSERT	Side To Side Curtain
4	235-2134	40:1 920 REDUCER WITH 1-7/16" SHAFT	Side To Side Curtain
5	212-1000	1 HP MOTOR	Side To Side Curtain
6	900-0550	1-7/16" MITTER CRANK	Side To Side Curtain
7	175-2003	SCRUBBER ROD BEARING	Side To Side Curtain
8	900-0462	SIDE TO SIDE SCRUBBER ROD	Side To Side Curtain
9	900-0471	SCRUBBER ARM	Side To Side Curtain
10	820-1534	1/2" X 2-3/4" STAINLESS STEEL BOLT	Side To Side Curtain
11	870-1501	1/2" STAINLESS STEEL THICK WASHER	Side To Side Curtain
12	840-2000	1/2" STAINLESS STEEL LOCK NUT	Side To Side Curtain

NS Mini Foamer

Layout & Parts List

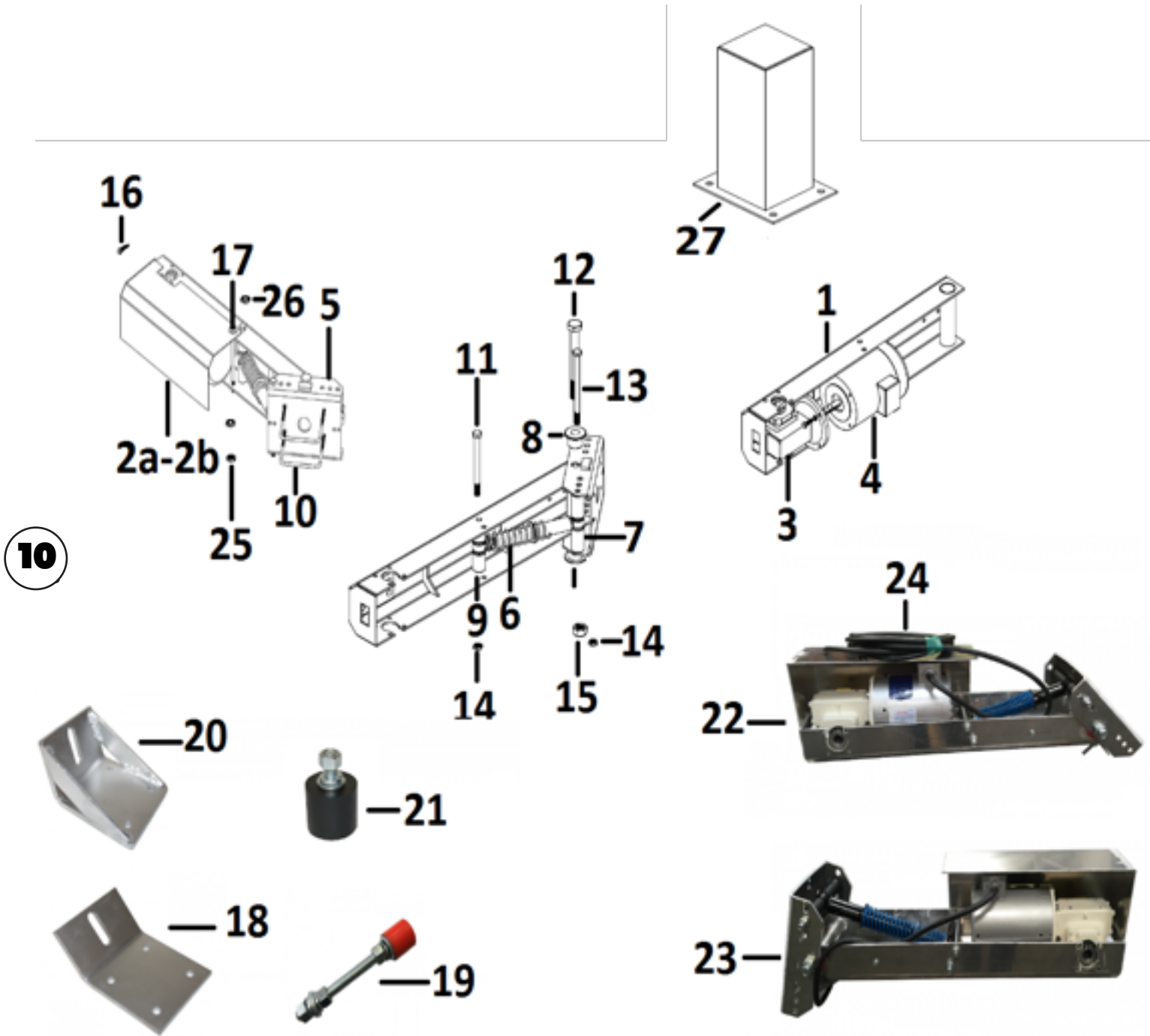


9

Item No	Part No.	Description	Related to:
1	<i>FOM-MINI-1</i>	SINGLE MINI FOAMER ASSEMBLY	NS MINI FOAMER
2	<i>FOM-MINI</i>	TWO MINI FOAMER ASSEMBLIES	NS MINI FOAMER
3	<i>900-0675</i>	MINI FOAMER ALUMINUM COVER	NS MINI FOAMER
4	<i>900-0125</i>	RED MINI FOAMER HEAD	NS MINI FOAMER

Rocker Panel Brush Arms

Layout



Rocker Panel Brush Arms

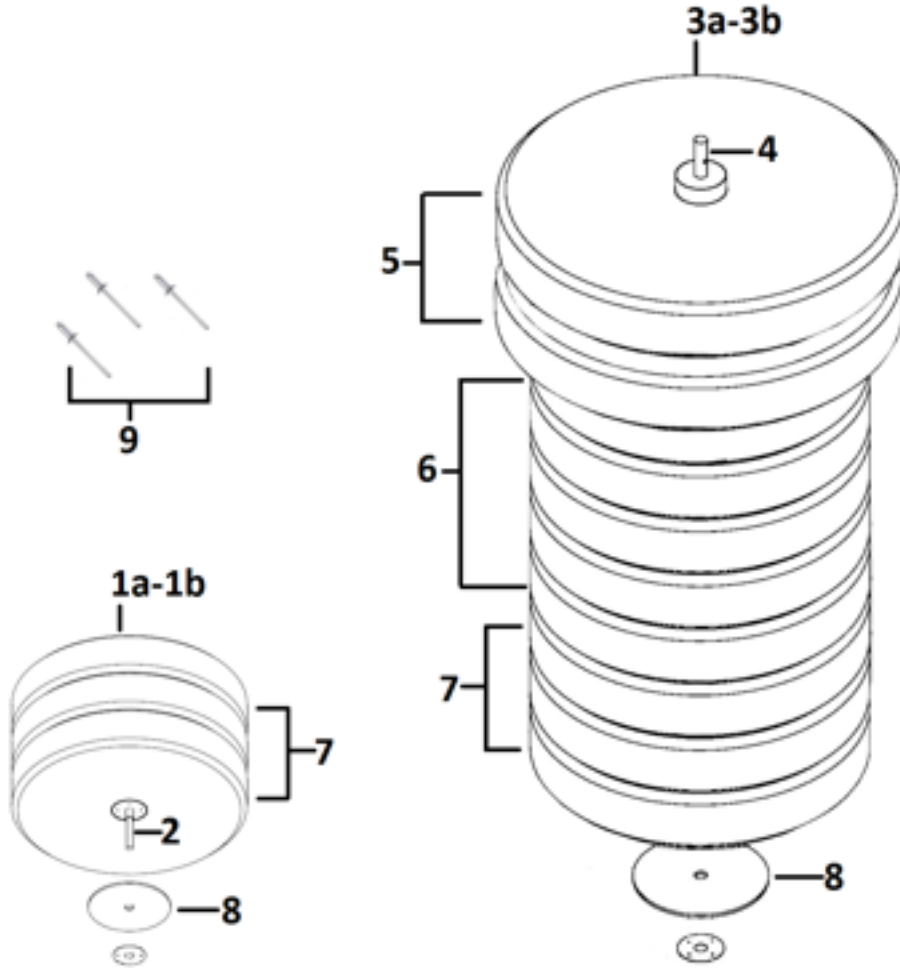
Parts List

Item No	Part No.	Description	Related to:
1	900-0405	UNIVERSAL ROCKER PANEL ARM	Rocker Panel Brush Arm
2a	900-1415	DRIVER SIDE RPB MOTOR COVER	Rocker Panel Brush Arm
2b	900-1414	PASSENGER SIDE RPB MOTOR COVER	Rocker Panel Brush Arm
3	235-2145	30:1 920 REDUCER WITH 1" SHAFT	Rocker Panel Brush Arm
4	212-1004	½ HP MOTOR	Rocker Panel Brush Arm
5	900-0404	RPB ARM MOUNTING BRACKET	Rocker Panel Brush Arm
6	765-1114	SHOCK WITH BLUE SPRING	Rocker Panel Brush Arm
7	160-0410	1.5"X 3.25" RPB SHOCK SPACER	Rocker Panel Brush Arm
8	160-0405	RPB PIVOT BUSHING	Rocker Panel Brush Arm
9	160-0415	1.5"X 2.5" RPB SHOCK SPACER	Rocker Panel Brush Arm
10	810-1652	3/8" STAINLESS STEEL U-BOLT	Rocker Panel Brush Arm
11	810-1004	5/8" X 8-1/2" STAINLESS STEEL BOLT	Rocker Panel Brush Arm
12	810-1002	1" X 10" STAINLESS STEEL BOLT	Rocker Panel Brush Arm
13	820-3057	5/8" X 10" STAINLESS STEEL BOLT	Rocker Panel Brush Arm
14	840-1016	5/8" STAINLESS STEEL THIN JAM NUT	Rocker Panel Brush Arm
15	840-1015	1" STAINLESS STEEL THIN JAM NUT	Rocker Panel Brush Arm
16	860-1114	1" STAINLESS STEEL TEK SCREW	Rocker Panel Brush Arm
17	820-1656	½" X 8-1/2" STAINLESS STEEL BOLT	Rocker Panel Brush Arm
18	900-1412	DRIVER SIDE BUMPER PLATE	Rocker Panel Brush Arm
19	640-1410	RPB DRIVER SIDE BUMPER ASSEMBLY	Rocker Panel Brush Arm
20	900-1413	PASSENGER SIDE BUMPER PLATE	Rocker Panel Brush Arm
21	640-1400	1-1/2" PASSENGER SIDE BUMPER	Rocker Panel Brush Arm
22	900-1615	Rocker Panel Arm Assembly (Brush Not Included) Driver	Rocker Panel Brush Arm
23	900-1625	Rocker Panel Arm Assembly (Brush Not Included) Passenger	Rocker Panel Brush Arm
24	330-0020	14/4 600V CORD	Rocker Panel Brush Arm
25	840-1325	½" STAINLESS STEEL THIN JAM NUT	Rocker Panel Brush Arm
26	870-1400	½" STAINLESS STEEL FLAT WASHER	Rocker Panel Brush Arm
27	900-0397	STAND ALONE ROCKER PANEL STAND	Stand Alone Rpb

Lammscloth Brushes

Lc

12



Item No	Part No.	Description	Related to:
1a	630-1321D	DRIVER SIDE ROCKER PANEL BRUSH LAMMS-CLOTH	ROCKER PANEL BRUSH
1b	630-1321P	PASSENGER SIDE ROCKER PANEL BRUSH LAMMSCLOTH	ROCKER PANEL BRUSH
2	900-0189	ROCKER PANEL BRUSH SHAFT (6" BARREL)	ROCKER PANEL BRUSH
3a	630-1301D-ECO	DRIVER SIDE WRAP BRUSH LAMMSCLOTH	WRAP BRUSH
3b	630-1301P-ECO	PASSENGER SIDE WRAP BRUSH LAMMSCLOTH	WRAP BRUSH
4	900-0210-ECO	WRAP BRUSH SHAFT (6" X 80")	WRAP BRUSH
5	630-1287	48" FULL DENSITY LAMMSCLOTH BRUSH PELT	WRAP BRUSH
6	LCB-1/5-6	40" HALF DENSITY LAMMSCLOTH BRUSH PELT	WRAP BRUSH
7	LCB-FULL-6	40" FULL DENSITY LAMMSCLOTH BRUSH PELT	ROCKER & WRAP BRUSH
8	710-1006	14" BLUE RUBBER DISC WITH METAL DISC PLATE	ROCKER & WRAP BRUSH
9	825-1260	3/16" X 0.96" BRUSH RIVET	ROCKER & WRAP BRUSH

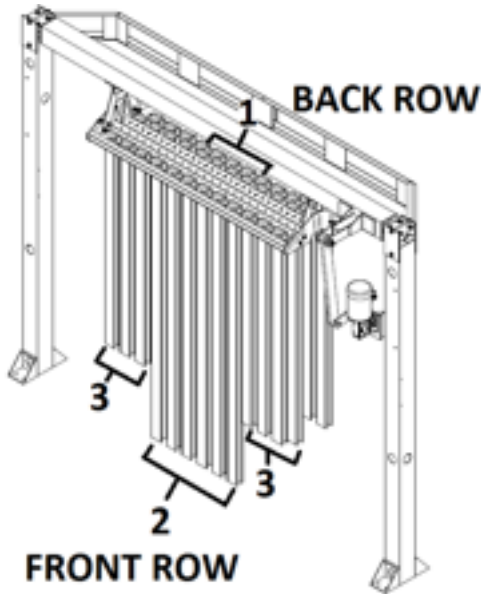
800-782-1582 ext.: **3** for parts

Parts Manual **ECO Lammscloth**

Rev: 4

Lammscloth Curtain Strip

Front to Rear Layout & Parts List

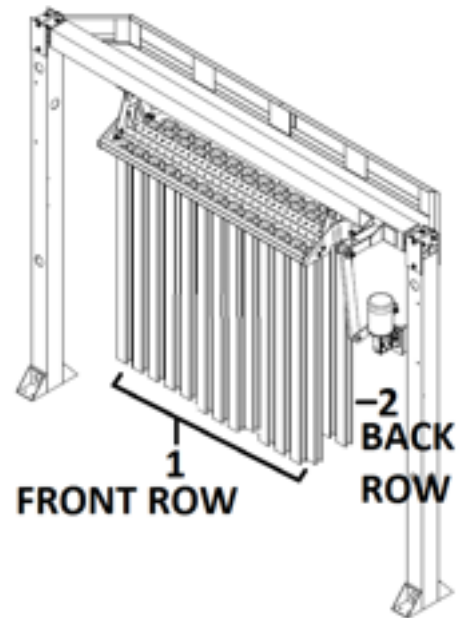


With Rocker Panel

Item No	Part No.	Description with Rocker Panel Strips	Quantity
1	LCC-8X184	8" X 184" LAMMSCLOTH CURTAIN STRIP	11
2	LCC-8X164	8" X 164" LAMMSCLOTH CURTAIN STRIP	11
3	LCC-8X138	8" X 138" LAMMSCLOTH CURTAIN STRIP	28

13

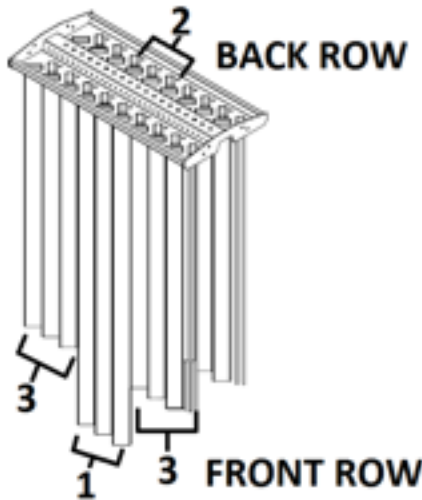
Without Rocker Panel



Item No	Part No.	Description without Rocker Panel Strips	Quantity
1	LCC-8X184	8" X 184" LAMMSCLOTH CURTAIN STRIP	25
2	LCC-8X164	8" X 164" LAMMSCLOTH CURTAIN STRIP	25

Lammscloth Curtain Strip

Side to Side Layout & Parts List

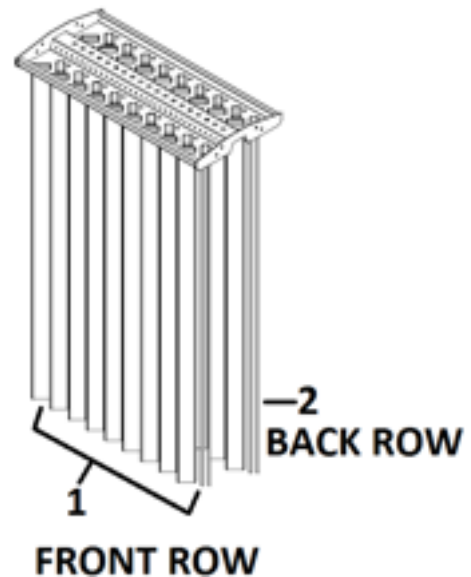


Side to Side Curtain
With Rocker Panel

Item No	Part No.	Description with Rocker Panel Strips	Quantity
1	LCC-8X174	8" X 174" LAMMSCLOTH CURTAIN STRIP	6
2	LCC-8X182	8" X 182" LAMMSCLOTH CURTAIN STRIP	6
3	LCC-8X138	8" X 138" LAMMSCLOTH CURTAIN STRIP	24

14

Side to Side Curtain
Without Rocker Panel



Item No	Part No.	Description without Rocker Panel Strips	Quantity
1	LCC-8X174	8" X 174" LAMMSCLOTH CURTAIN STRIP	18
2	LCC-8X182	8" X 182" LAMMSCLOTH CURTAIN STRIP	18

800-782-1582 ext.: **3** for parts

Ordered List

160-0405.....	11	840-1015.....	11
160-0410.....	11	840-1016.....	11
160-0415.....	11	840-1325.....	11
175-2003.....	8	840-2000.....	5
212-1000.....	7	840-2000.....	8
212-1000.....	8	840-2200.....	7
212-1004.....	5	840-5003.....	5
212-1004.....	6	840-5003.....	6
212-1004.....	11	860-1114.....	11
235-2133.....	5	870-1400.....	11
235-2133.....	6	870-1501.....	5
235-2134.....	7	870-1501.....	8
235-2134.....	8	870-1602.....	7
235-2145.....	11	870-1700.....	5
330-0020.....	11	870-1700.....	6
610-1301.....	5	900-0006.....	5
610-1301.....	8	900-0006.....	6
610-1340.....	5	900-0012.....	5
610-1340.....	8	900-0012.....	6
630-1029.....	5	900-0109.....	7
630-1043.....	5	900-0119.....	7
630-1043.....	6	900-0125.....	9
630-1044.....	5	900-0189.....	12
630-1044.....	6	900-0210-ECO.....	12
630-1111.....	6	900-0397.....	11
630-1125-ECO.....	6	900-0404.....	11
630-1126-ECO.....	6	900-0405.....	11
630-1287.....	12	900-0462.....	8
630-1301D-ECO.....	12	900-0471.....	8
630-1301P-ECO.....	12	900-0522.....	7
630-1321D.....	12	900-0540.....	8
630-1321P.....	12	900-0550.....	7
640-1400.....	11	900-0550.....	8
640-1410.....	11	900-0593.....	7
640-1600.....	6	900-0675.....	9
640-1603.....	5	900-1412.....	11
710-1006.....	12	900-1413.....	11
765-1114.....	11	900-1414.....	11
766-1000.....	5	900-1415.....	11
766-1000.....	6	900-1615.....	11
766-2000.....	5	900-1625.....	11
766-2000.....	6	FOM-MINI.....	9
810-1002.....	11	FOM-MINI-1.....	9
810-1004.....	11	LCB-1/5-6.....	12
810-1652.....	11	LCB-FULL-6.....	12
820-1534.....	5	LCC-8X138.....	13
820-1534.....	8	LCC-8X164.....	13
820-1561.....	5	LCC-8X164.....	13
820-1561.....	6	LCC-8X174.....	14
820-1656.....	11	LCC-8X182.....	14
820-1872.....	7	LCC-8X184.....	13
820-3057.....	11	LCC-8X184.....	13
825-1260.....	12		



N/S Corporation

VEHICLE WASHING EQUIPMENT • ESTABLISHED 1961

www.nswash.com

235 West Florence Avenue
Inglewood, California 90301

800-782-1582

Parts: Ext. **3**

Service: Ext. **2**

Fax: **310.412.1196**



Due to Continuous research N/S Corporation reserves the right to upgrade or change at any time, specifications, or designs without notice and without incurring any obligations.

Copyright © 2019 NS Corporation.

**COMPANY WITH
QUALITY SYSTEM
CERTIFIED BY DNV GL
= ISO 9001 =**