



SYSTEMS 3000•3100•3250

PARTS MANUAL



NS CORPORATION

Quality Equipment Since 1961

Revision: **3**

Date: **05/2019**

Approved by: **CA**



Contents

SYSTEM 3000 3

ISOMETRIC _____ 3

SYSTEM 3100 4

ISOMETRIC _____ 4

SYSTEM 3250 5

ISOMETRIC _____ 5

WRAP AROUND BRUSHES 6

Parts ID _____ 6

WRAP AROUND BRUSHES 7

PARTS LIST _____ 7

SIDE BRUSHES 8

ASSEMBLY _____ 8

DOUBLE CURTAIN RACK 9

ASSEMBLY _____ 9

SINGLE CURTAIN RACK 10

ASSEMBLY _____ 10

AIR TRIO MANIFOLD 11

NS PART# AIR-015A _____ 11

MOTOR CONFIGURATIONS 12

REPLACEMENTS _____ 12

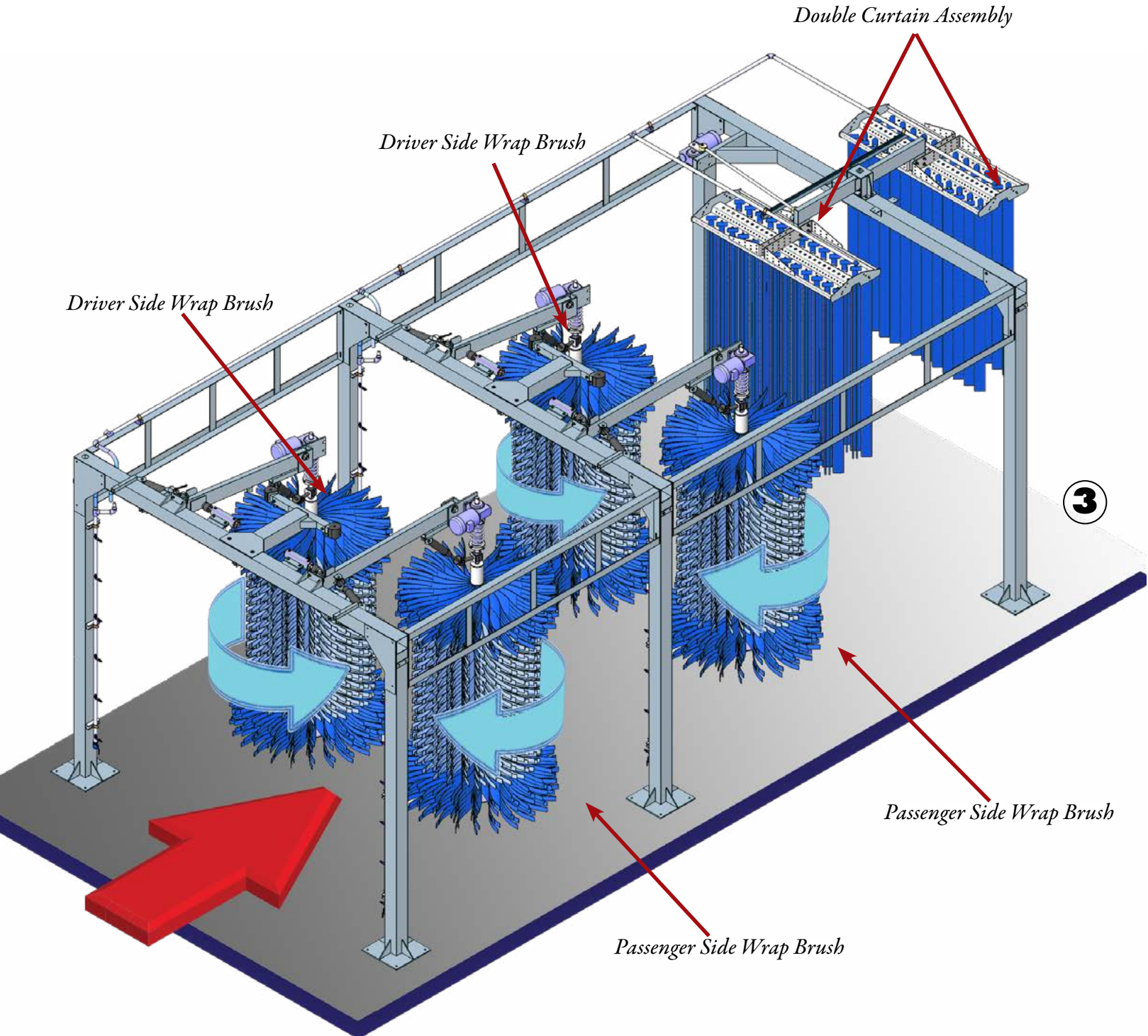
REDUCER CONFIGURATIONS 13

REPLACEMENTS _____ 13

2

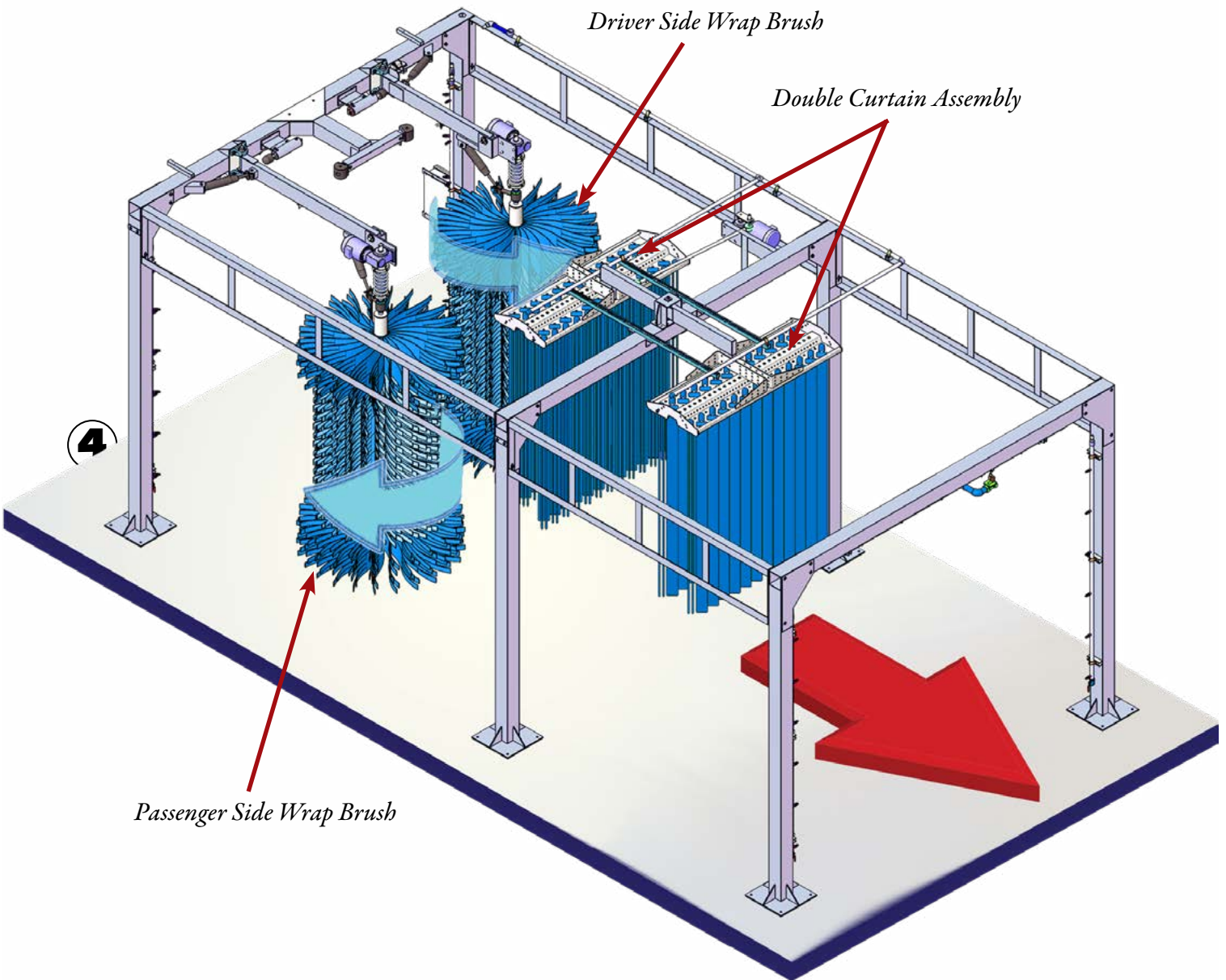
SYSTEM 3000

ISOMETRIC



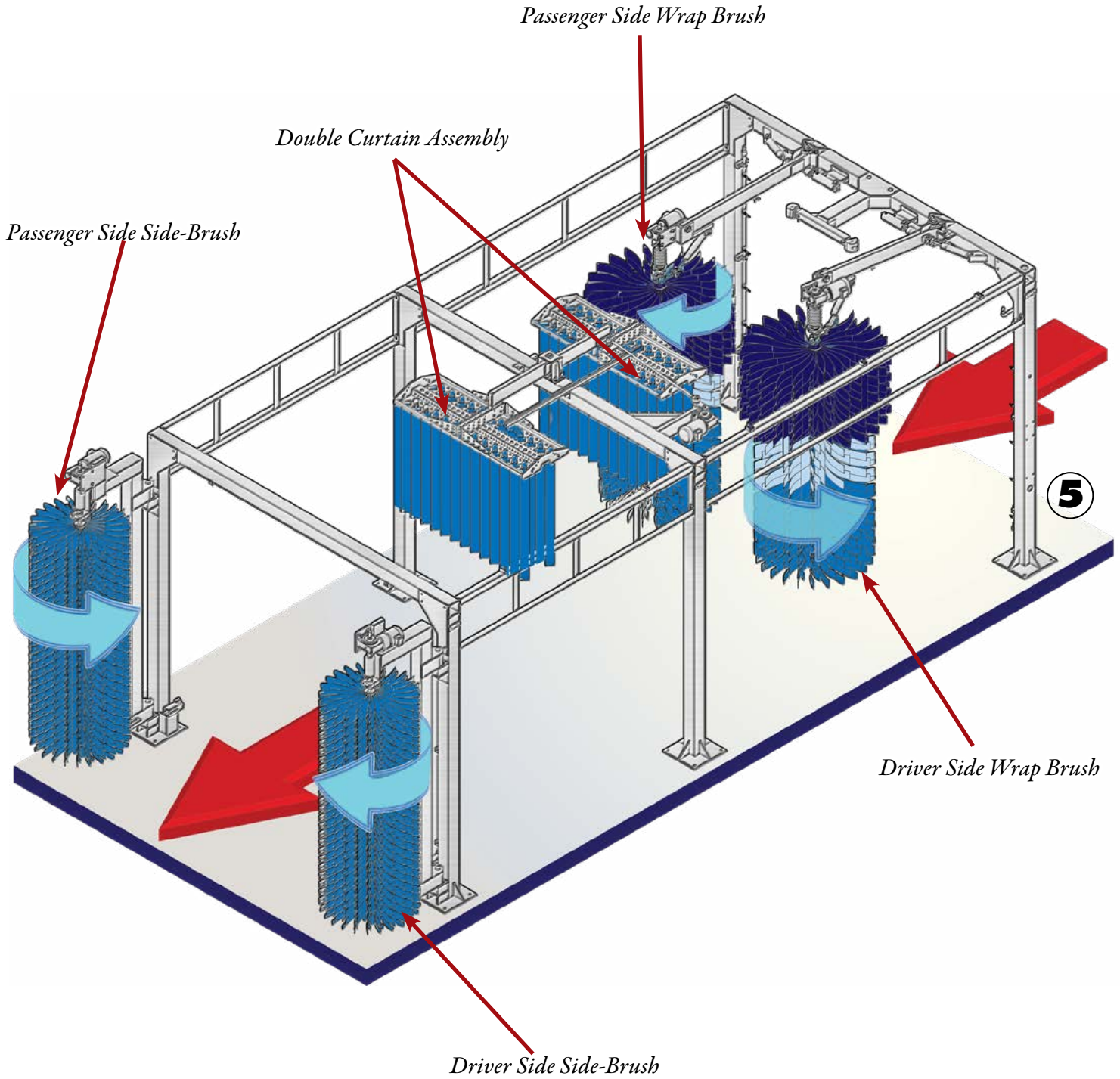
SYSTEM 3100

ISOMETRIC



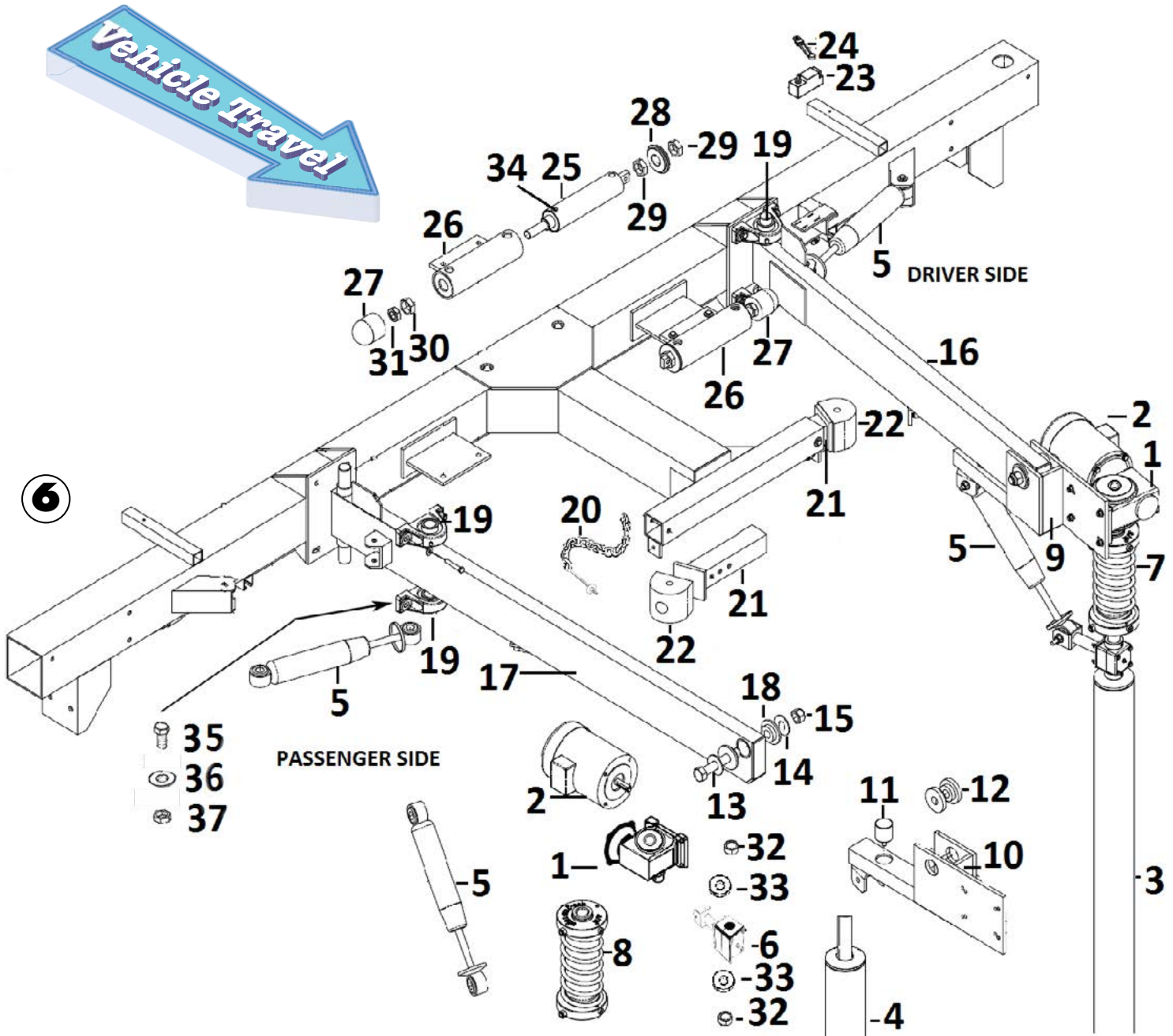
SYSTEM 3250

ISOMETRIC



WRAP AROUND BRUSHES

Parts ID

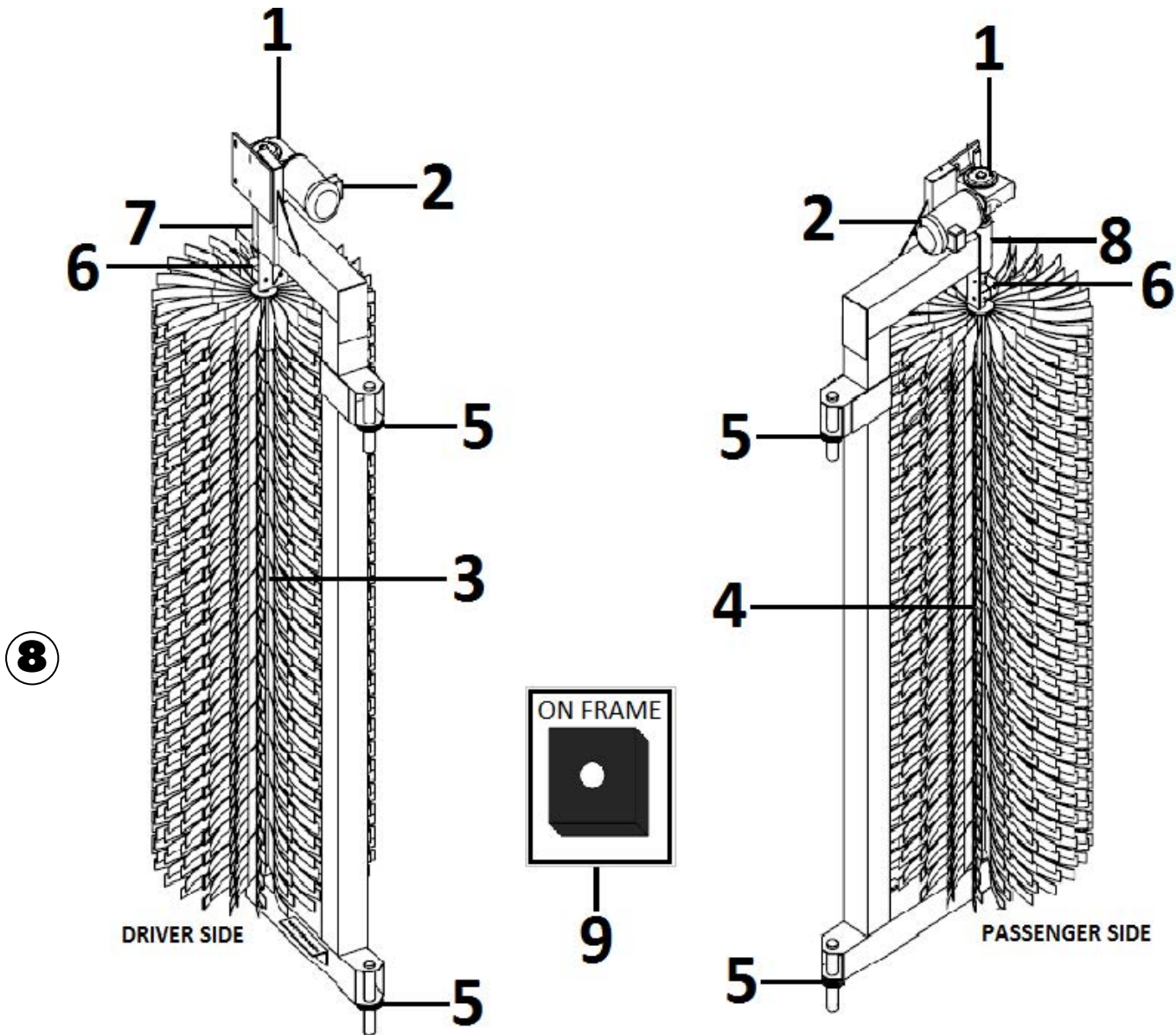


WRAP AROUND BRUSHES PARTS LIST

Item No	Part No.	Description	Related to:
1	Call Parts Rep.	Reducer For Wrap Brush (15:1 Fiber/Foam & 30:1 Lammscloth)	Wrap Brush
2	Call Parts Rep.	MOTOR FOR WRAP BRUSH (2 HP & 1.5 HP)	Wrap Brush
3	Call Parts Rep.	DRIVER SIDE WRAP BRUSH	Wrap Brush
4	Call Parts Rep.	PASSENGER SIDE WRAP BRUSH	Wrap Brush
5	760-1610	13½" SHOCK COMPLETE WITH BUSHINGS	Wrap Around Bulkhead
6	900-0495	TWO PIECE STABILIZER BRACKET COMPLETE	Wrap Around Bulkhead
7	765-2508D	Superflex Coupling, 3000 Driver Side With Blue Spring	Wrap Around Bulkhead
8	765-2508P	Superflex Coupling, 3000 Passenger Side With Blue Spring	Wrap Around Bulkhead
9	630-1011	DRIVER SIDE BREAKAWAY ARM, 3000 SERIES	Wrap Around Bulkhead
10	630-1012	PASSENGER SIDE BREAKAWAY ARM, 3000 SERIES	Wrap Around Bulkhead
11	640-1600	BUMPER 3" COMPLETE WITH NUT AND WASHERS	Breakaway Arms
12	160-1098-.75	BREAKAWAY BUSHING, 2½" DIA x 3/4" x 1"	Breakaway Arms
13	820-1565	1" X 6½" STAINLESS STEEL CAP SCREW	Brush Arm Hardware
14	870-1700	1" STAINLESS STEEL FLAT WASHER	Brush Arm Hardware
15	840-5003	1" STAINLESS STEEL LOCK NUT	Brush Arm Hardware
16	630-1007	DRIVER SIDE ARM, 3000 SERIES	Wrap Around Bulkhead
17	630-1006	PASSENGER SIDE ARM, 3000 SERIES	Wrap Around Bulkhead
18	900-0006	UHMW, WRAP ARM END BUSHING	Wrap Brush Arm
19	610-1011	1½" PILLOW BLOCK BEARING, NORMAL DUTY	Wrap Around Bulkhead
20	630-1015	WRAP AROUND BRUSH CHAIN ASSEMBLY	Wrap Around Bulkhead
21	900-5016	WRAP BRUSH BUMPER BRACKET	Wrap Around Bulkhead
22	640-1603	HARD ARM BUMPER	Brush Bumper Bracket
23	240-0005	LIMIT SWITCH, 24-120 VOLTS	Wrap Around Bulkhead
24	240-0005A	ADJUSTABLE LEVER FOR LIMIT SWITCH	Limit Switch
25	440-1252-P	2½" Oversized Parker Cylinder	Air Retract
26	900-0481	ALUMINUM AIR RETRACT BRACKET	Air Retract
27	640-1599	UHMW BLACK AIR CYLINDER BUMPER	Air Retract
28	945-0156	END WASHER FOR AIR RETRACT	Air Retract
29	840-1323	GOLD JAM NUT FOR END	Air Retract
30	840-1324	SILVER JAM NUT FOR SHAFT	Air Retract
31	840-1322	1" JAM NUT STAINLESS STEEL	Air Retract
32	680-1210	1½" STAINLESS STEEL COLLAR LOCK	Stabilizer Bracket
33	870-1760	1½" STAINLESS STEEL Washer	Stabilizer Bracket
34	465-1809	3/8" NPT X 3/8" QC POLY CONNECTOR	Air Retract
35	820-1534	½"x 2¾" Stainless Steel Bolt	Single Curtain Rack
36	870-1501	½"x 2¾" Stainless Steel Washer	Single Curtain Rack
37	840-2000	½" Stainless Steel Lock Nut	Single Curtain Rack

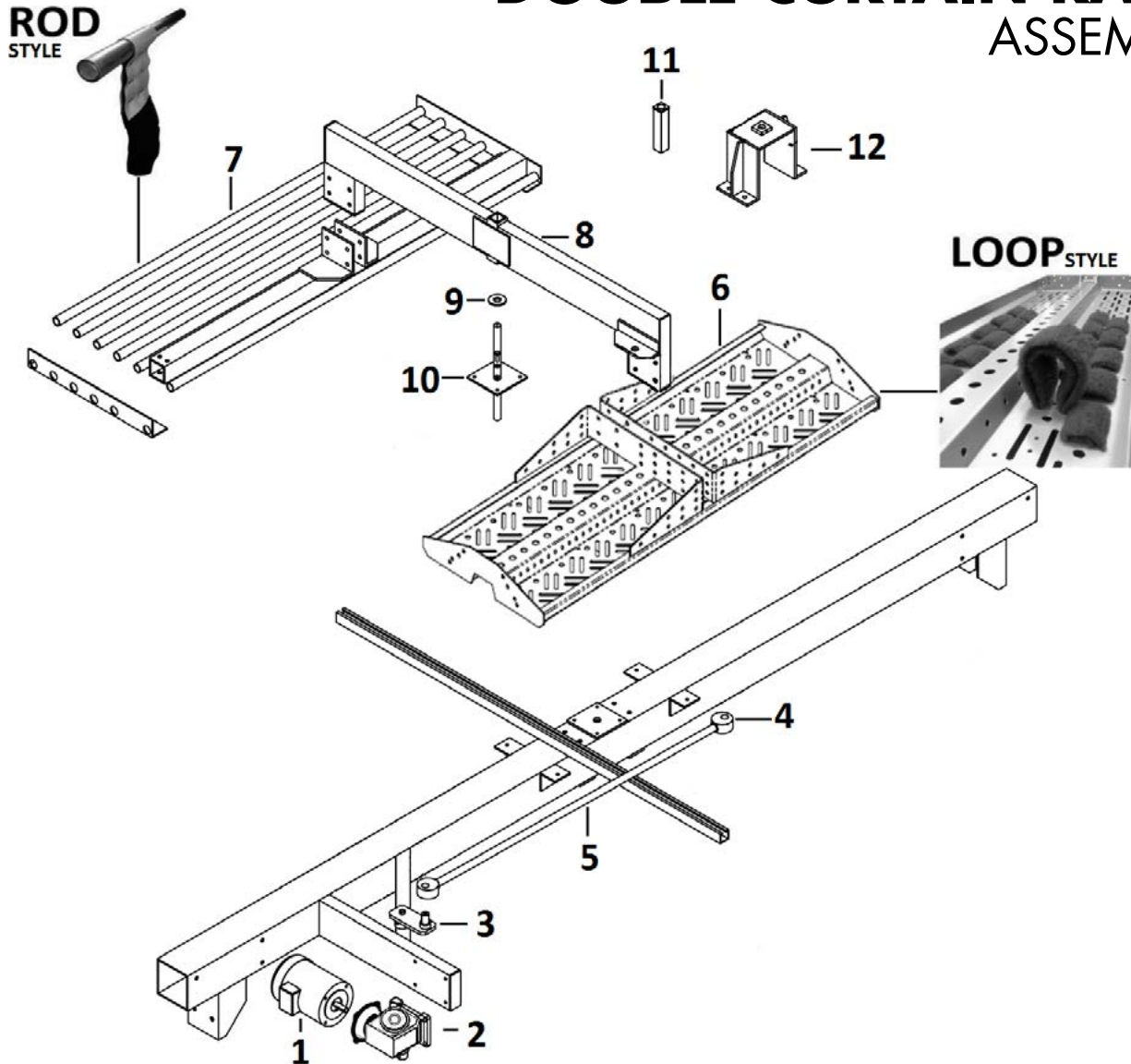
7

SIDE BRUSHES ASSEMBLY



Item No	Part No.	Description	Related to:
1	Call Parts Rep	Reducer For Side Brush (15:1 Fiber/Foam & 30:1 Lammscloth)	Side Brush
2	Call Parts Rep	MOTOR FOR SIDE BRUSH (2 HP & 1-1/2 HP)	Side Brush
3	Call Parts Rep	DRIVER SIDE, SIDE BRUSH	Side Brush
4	Call Parts Rep	PASSENGER SIDE, SIDE BRUSH	Side Brush
5	900-0101	UHMW SIDE BRUSH SPACER	Side Brush Assembly
6	945-1556	UHMW SIDE BRUSH TWO PIECE BUSHING BLOCK	Side Brush Assembly
7	766-1000	PASSENGER SIDE COUPLING, BLUE	Side Brush Assembly
8	766-2000	DRIVER SIDE COUPLING, BLUE	Side Brush Assembly
9	945-1557	SIDE BRUSH LEG BLOCK UHMW BUSH, 2" x 5-5/8"	Side Brush Leg

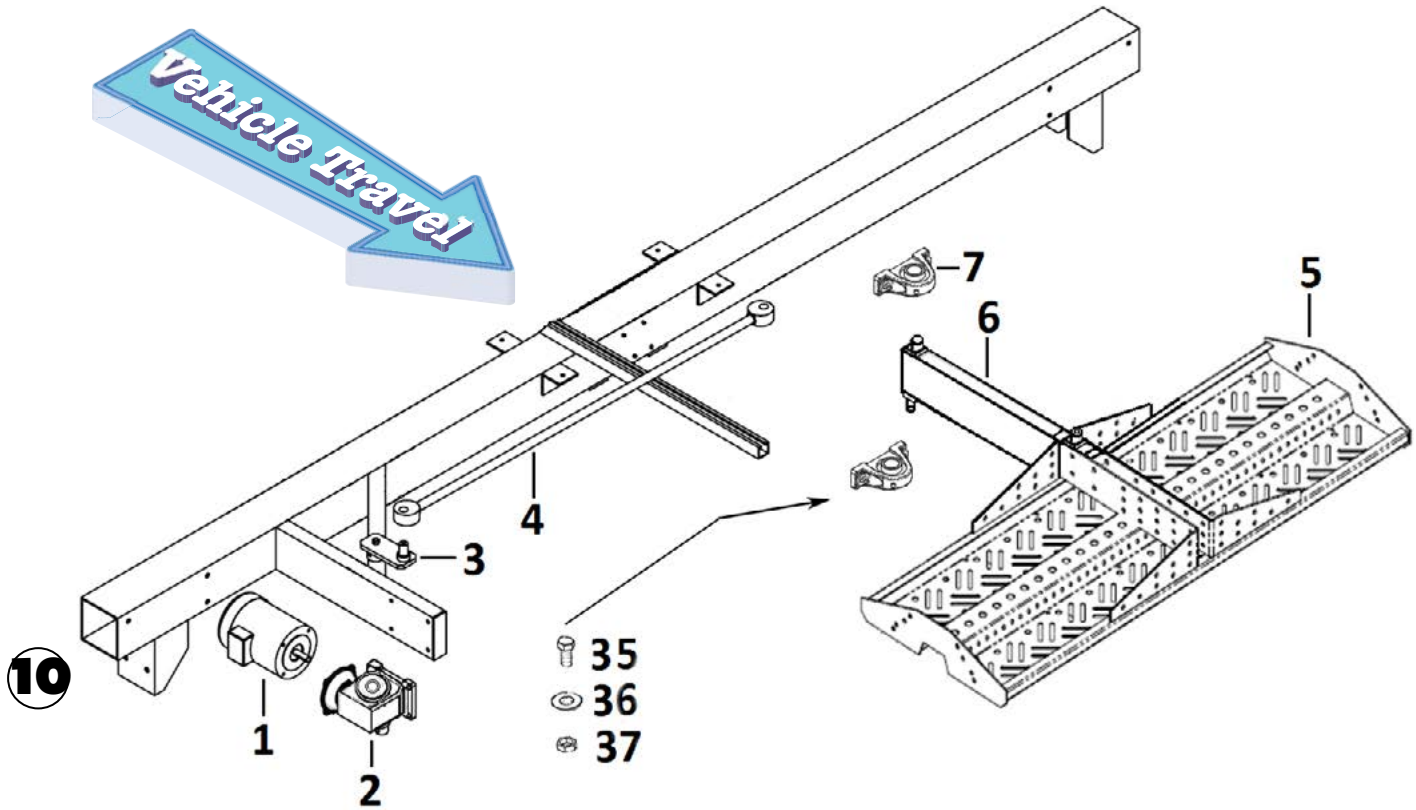
DOUBLE CURTAIN RACK ASSEMBLY



9

Item No	Part No.	Description	Related to:
1	Call Parts Rep	MOTOR FOR CURTAIN RACK	Double Curtain Rack
2	Call Parts Rep	REDUCER FOR CURTAIN RACK (40:1)	Double Curtain Rack
3	900-0550	1-7/16 CRANK ARM FOR MITTER	Double Curtain Rack
4	175-2003	UHMW SCRUBBER ROD BEARING	Double Curtain Rack
5	900-0464	CONNECTING ROD ASSEMBLY, 57"	Double Curtain Rack
6	900-0549	LOOP STYLE SCRUBBER RACK	Double Curtain Rack
7	Call Parts Rep	ROD STYLE SCRUBBER RACK	Double Curtain Rack
8	900-0455	DOUBLE SCRUBBER ARM	Double Curtain Rack
9	160-1098-25	UHMW WASHER, 2-1/2" x 1/4" x 1"	Double Curtain Rack
10	900-0563	SCRUBBER ARM PIVOT PIN	Double Curtain Rack
11	165-3421-7	7-1/8" SCRUBBER RACK BUSHING	Double Curtain Rack
12	630-1042	DOUBLE SCRUBBER RACK PIVOT BRACKET	Double Curtain Rack

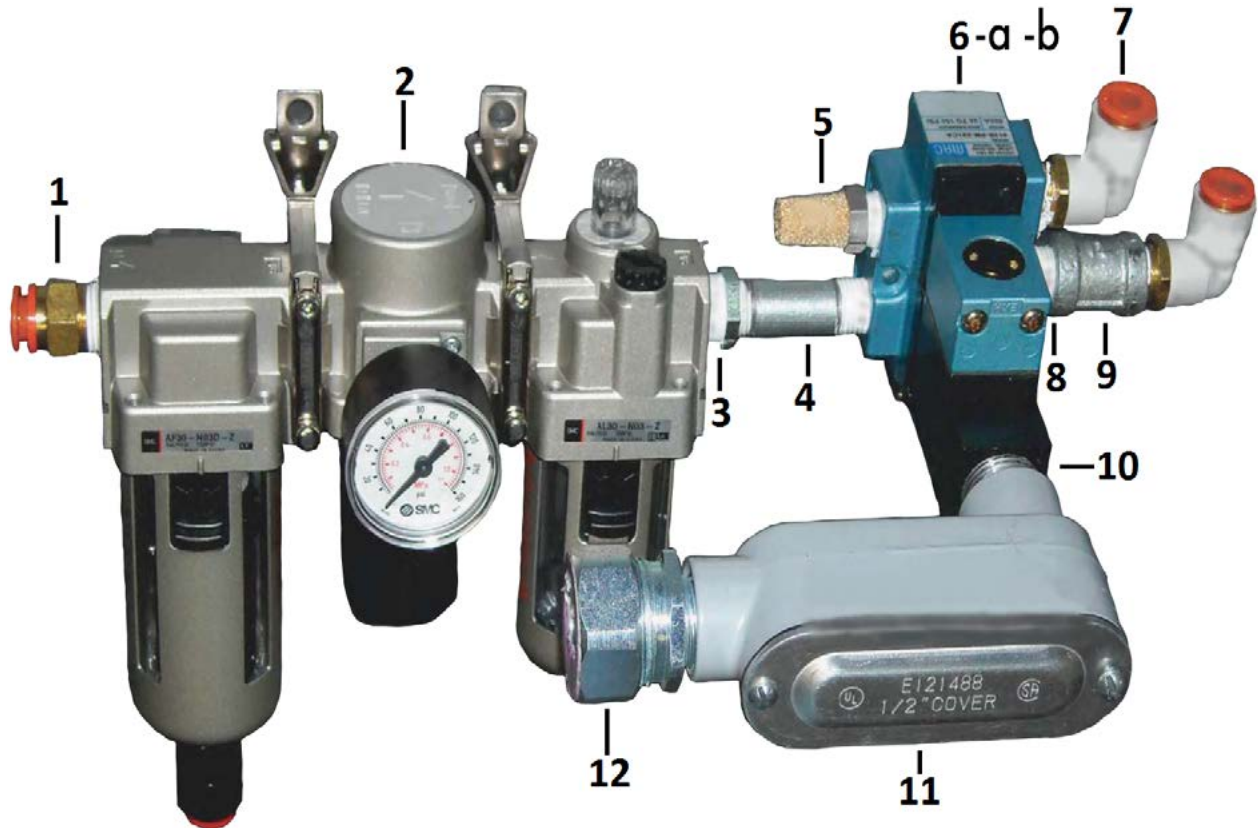
SINGLE CURTAIN RACK ASSEMBLY



Item No	Part No.	Description	Related to:
1	Call Parts Rep	MOTOR FOR CURTAIN RACK	SINGLE CURTAIN RACK
2	Call Parts Rep	REDUCER FOR CURTAIN RACK (40:1)	SINGLE CURTAIN RACK
3	900-0550	1-7/16" CRANK ARM FOR MITTER	SINGLE CURTAIN RACK
4	900-0464	CONNECTING ROD ASSEMBLY, 57"	SINGLE CURTAIN RACK
5	900-0549	RACK, LOOP STYLE SCRUBBER RACK	SINGLE CURTAIN RACK
6	Call Parts Rep	SINGLE SCRUBBER ARM	SINGLE CURTAIN RACK
7	610-1011	1-1/2" PILLOW BLOCK BEARING	SINGLE CURTAIN RACK
8	820-1534	1/2" x 2 3/4" Stainless Steel Bolt	SINGLE CURTAIN RACK
9	870-1501	1/2" Stainless Steel Washer	SINGLE CURTAIN RACK
10	840-2000	1/2" Stainless Steel Lock Nut	SINGLE CURTAIN RACK

AIR TRIO MANIFOLD

NS PART# AIR-015A



11

Item No	Part No.	Description	Related to:
1	465-1809	3/8" POLY X 3/8" NPT CONNECTOR	3/8" Air Trio Manifold
2	460-0082	3/8" COMBO FILTER	3/8" Air Trio Manifold
3	405-1198	1/4" X 3/8" GALVANIZED BUSHING	3/8" Air Trio Manifold
4	500-1206	1/4 X 3" GALVANIZED NIPPLE	3/8" Air Trio Manifold
5	630-1018	1/4" MPT MUFFLER	3/8" Air Trio Manifold
6a	KIN-06A	1/4" MAC VALVE 120V SOLENOID	3/8" Air Trio Manifold 120V
6b	KIN-06	1/4" MAC VALVE 24V SOLENOID	3/8" Air Trio Manifold 24V
7	465-1622	1/4" NPT X 3-8" POLY ELBOW	3/8" Air Trio Manifold
8	500-1200	1/4" CLOSED NIPPLE	3/8" Air Trio Manifold
9	420-1400	1/4" GALVANIZED COUPLING	3/8" Air Trio Manifold
10	500-1400	1/2" CLOSED NIPPLE	3/8" Air Trio Manifold
11	320-1038	1/2" ALUM LB BOX	3/8" Air Trio Manifold
12	350-1050	1/2" CORD CONNECTOR (BLUE)	3/8" Air Trio Manifold

Super Flex Accesories

3M Couplings



12

765-2508D
3M Superflex Coupling Driver

765-2508P
3M Superflex Coupling Passenger



820-1551
1/2" x 6 1/2" Cap Screw
2 cap screws per coupling



810-0999
1/2" x 1 3/4" ss Shoulder Bolt
4 Bolts per coupling



820-1882
1/2" Military Washer
4 washers per coupling

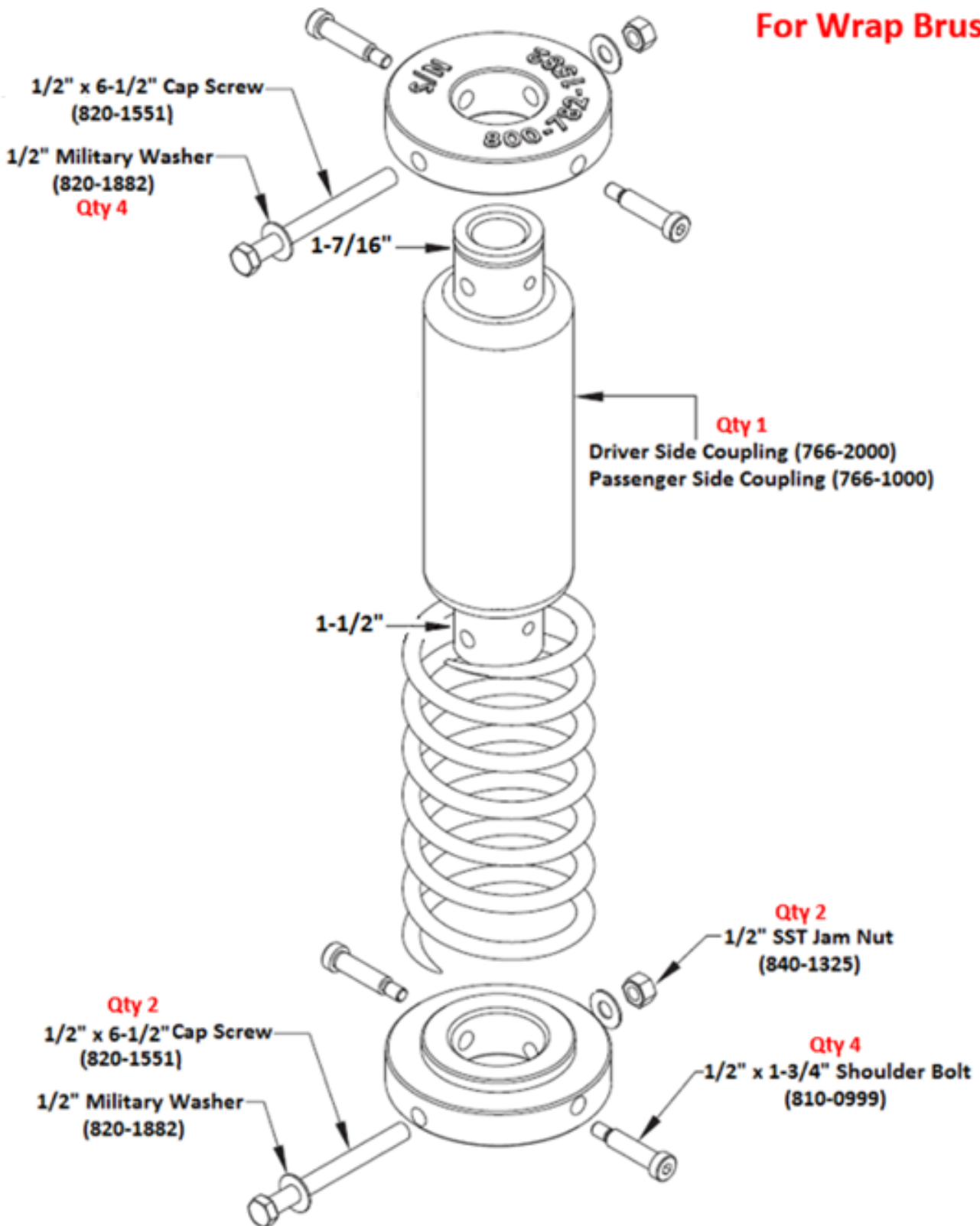


840-1325
1/2" SS Jam Nut
2 Jam Nuts per coupling

Super Flex Accesories

Wrap Brush

For Wrap Brush



13

Coupling Accesories

Side Brush

14



766-2000
Driver Side Coupling



766-1000
Passenger Side Coupling



820-1545
1/2" x 3/4" Cap Screw
2 Bolts per coupling



840-2000
1/2" ss Lock Nut
2 Lock Nuts per coupling



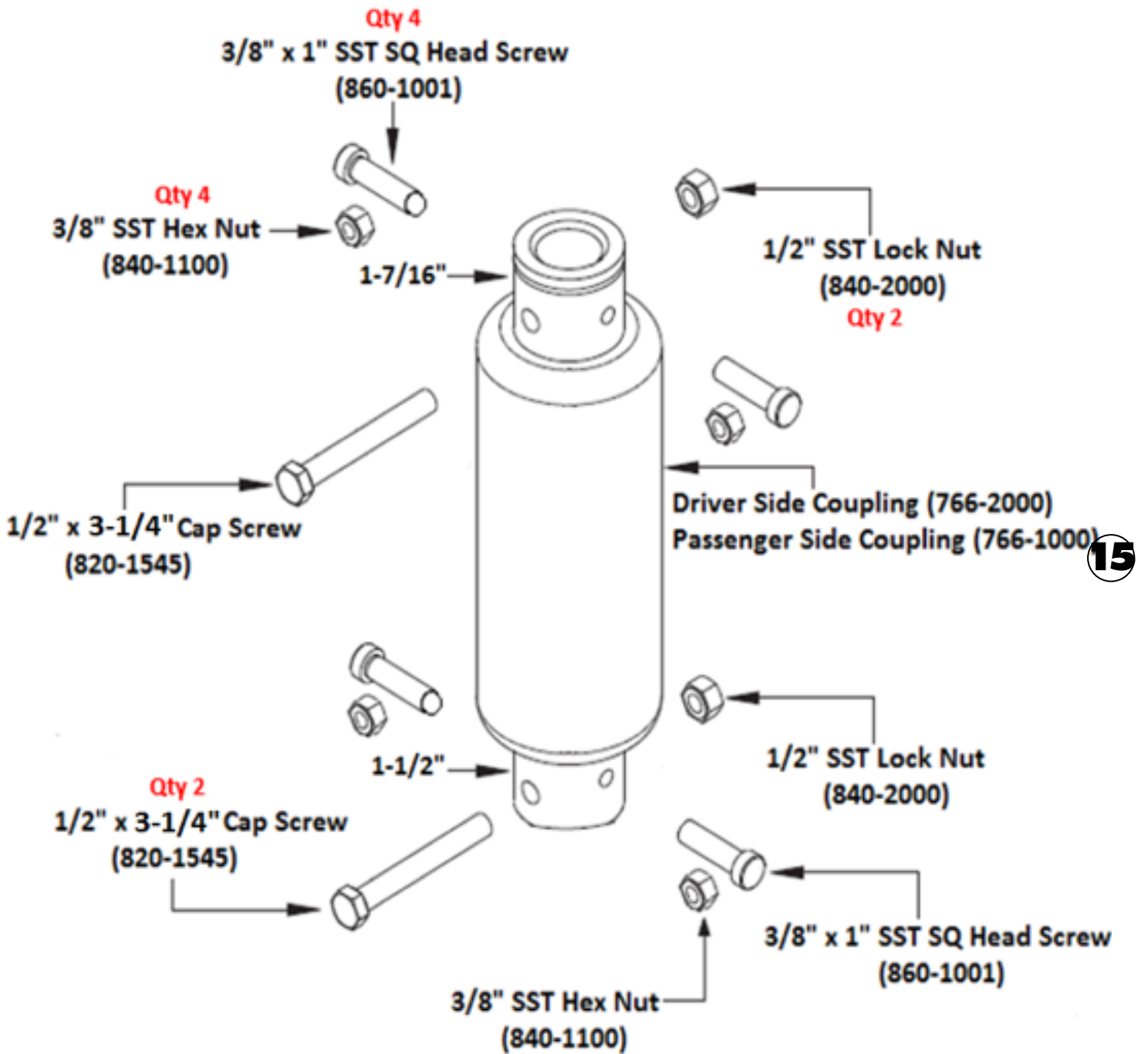
860-1001
3/8" x 1" ss Sq Head Screw
4 Screws per coupling



840-1100
3/8" ss Hex Nut
4 Hex Nuts per coupling

Coupling

Side Brush



15

Fiber Brush Pelts



630-1276
48" Half Silver Fiber Pelt



630-1280
48" Full Blue Fiber Pelt

16



630-1292
60" Black Fiber Pelt



630-1293
60" Half Blue/Silver Fiber Pelt



825-1260
Brush Pelt Rivets (3 rivets per pelt)

Foam Brush Pelts



630-1540
48" Full Foam Pelt



630-1541
48" Half Foam Pelt



630-1543
60" Full Foam Pelt



630-1542
60" Half Foam Pelt

17



860-1118
#12 x 2" Stainless Steel Screw



820-1244
5/8" O.D. Bonded Seal Washer

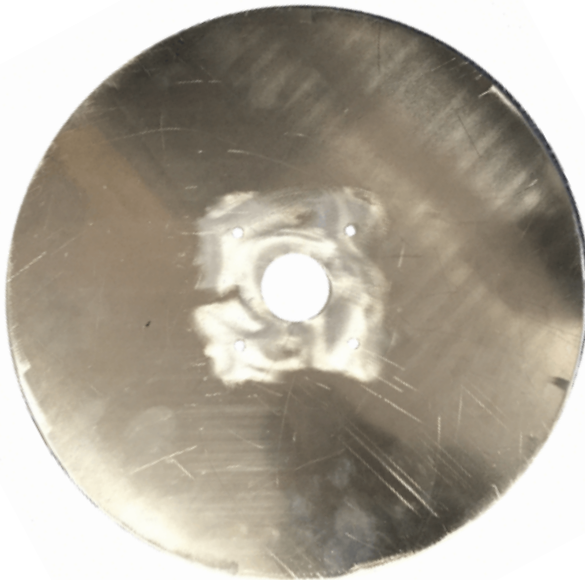
Brush Accessories



710-1088
16" Rubber Disc

18

710-1095
18" Rubber Disc



710-0010
14" Aluminum Disc



710-0009
5½" Aluminum Disc

Curtain Styles

Loop or Rod

LOOP STYLE



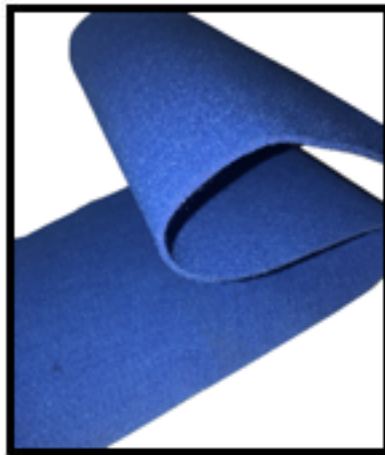
ROD STYLE



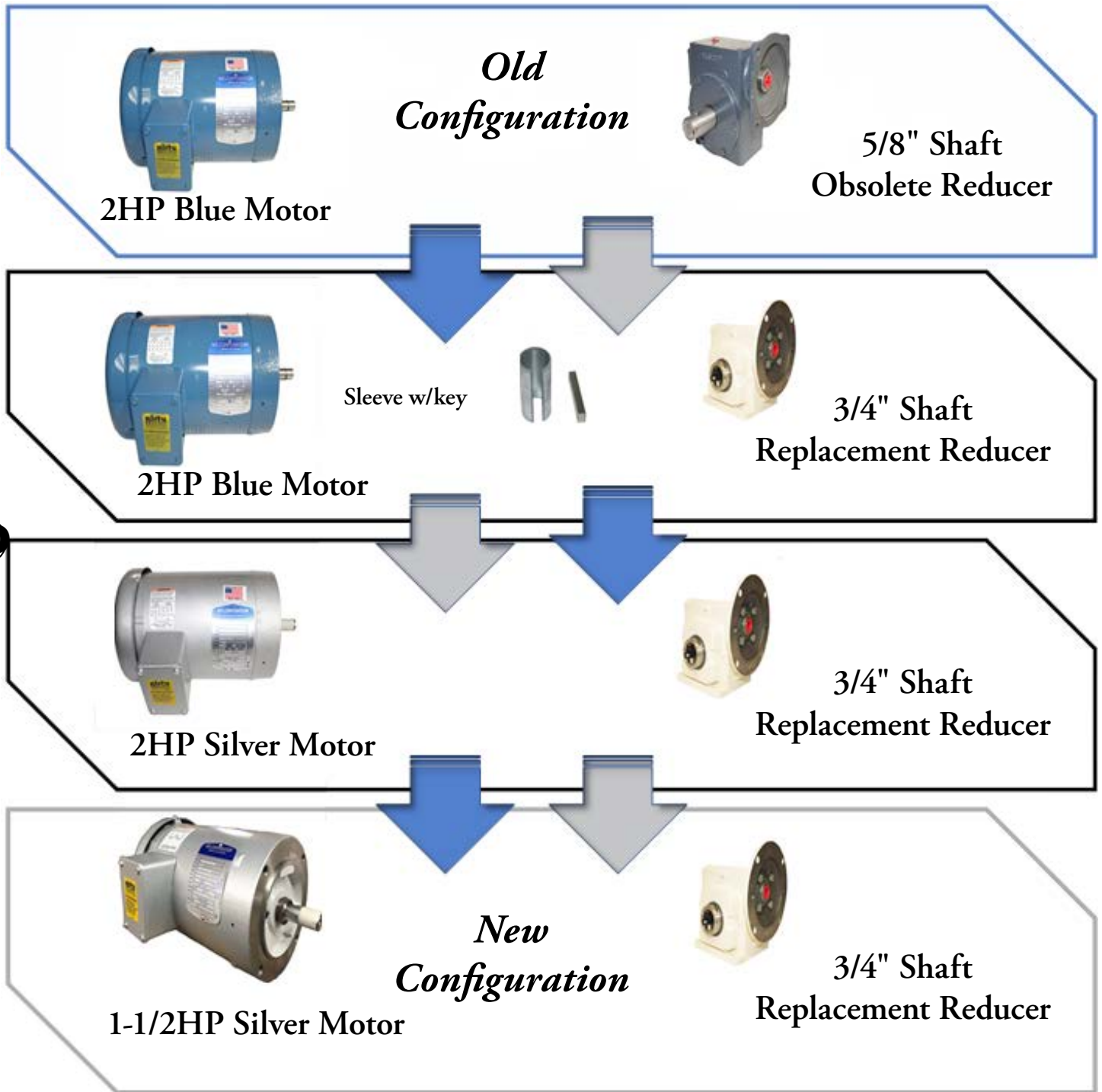
19

Curtain Materials

Ozite, Felt or Lammscloth



MOTOR CONFIGURATIONS REPLACEMENTS





2HP Blue Motor (5/8" Shaft) Part# 210-2110 & Sleeve w/key Part# 900-0531

2HP Silver Motor (3/4" Shaft) Part# 212-1001

1-1/2HP Silver Motor (3/4" Shaft) Part# 212-1011

REDUCER CONFIGURATIONS

REPLACEMENTS



15:1 Reducer
Part# 235-2129
(Obsolete)

*Fiber Wrap Brush
& Fiber Side Brush*

15:1 Reducer
Part# 235-2132
(Replacement)


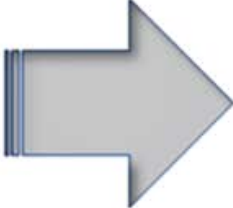



30:1 Reducer
Part# 235-2131
(Obsolete)

*Lammscloth Wrap
Brush & Lammscloth
Side Brush*

30:1 Reducer
Part# 235-2133
(Replacement)

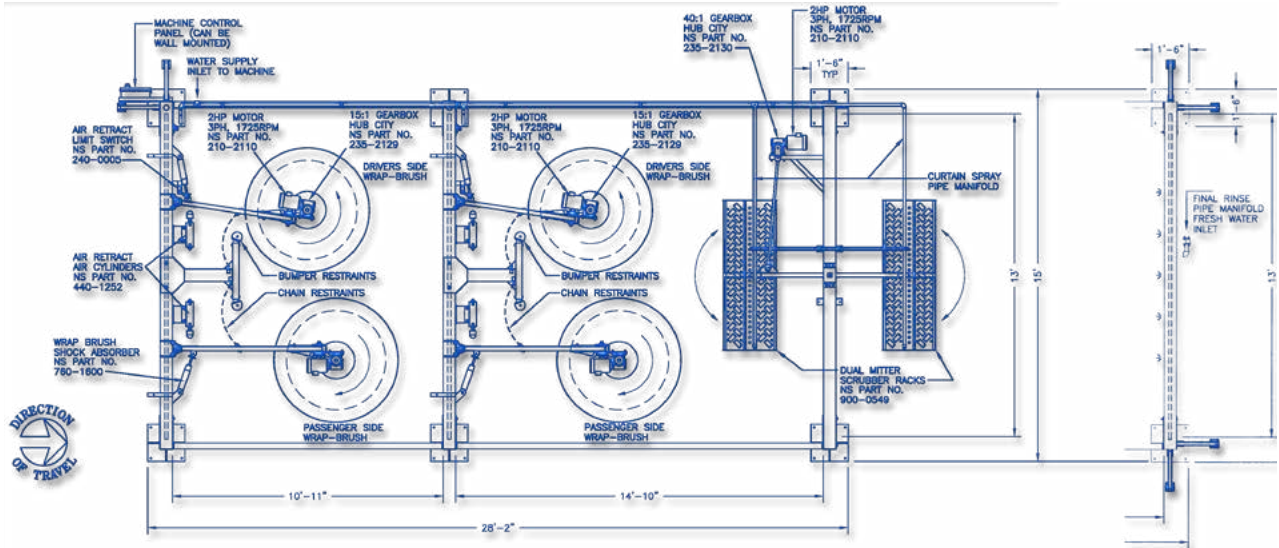
21



40:1 Reducer
Part# 235-2130
(Obsolete)

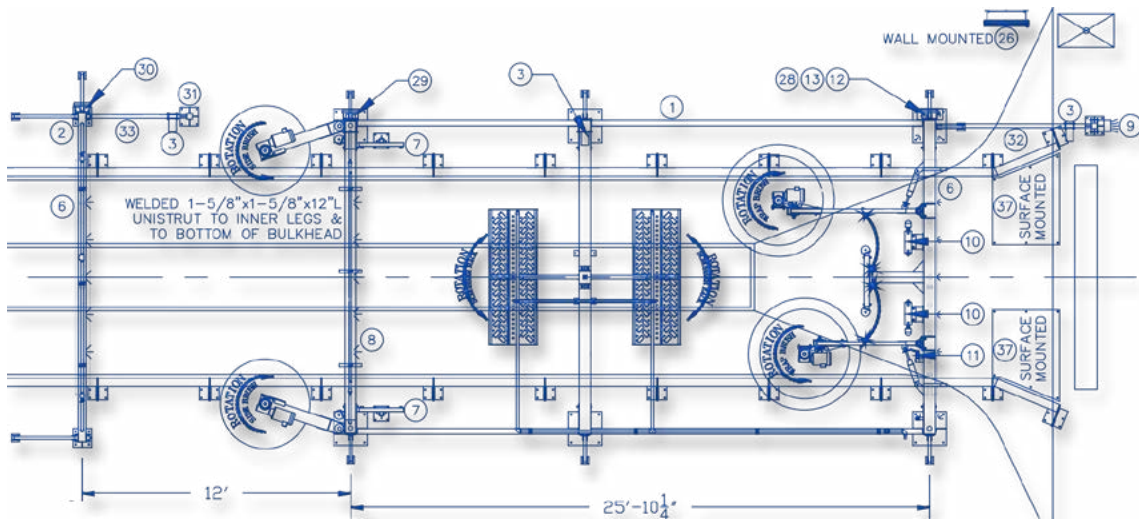
*Curtain Rack
Assembly*

40:1 Reducer
Part# 235-2134
(Replacement)



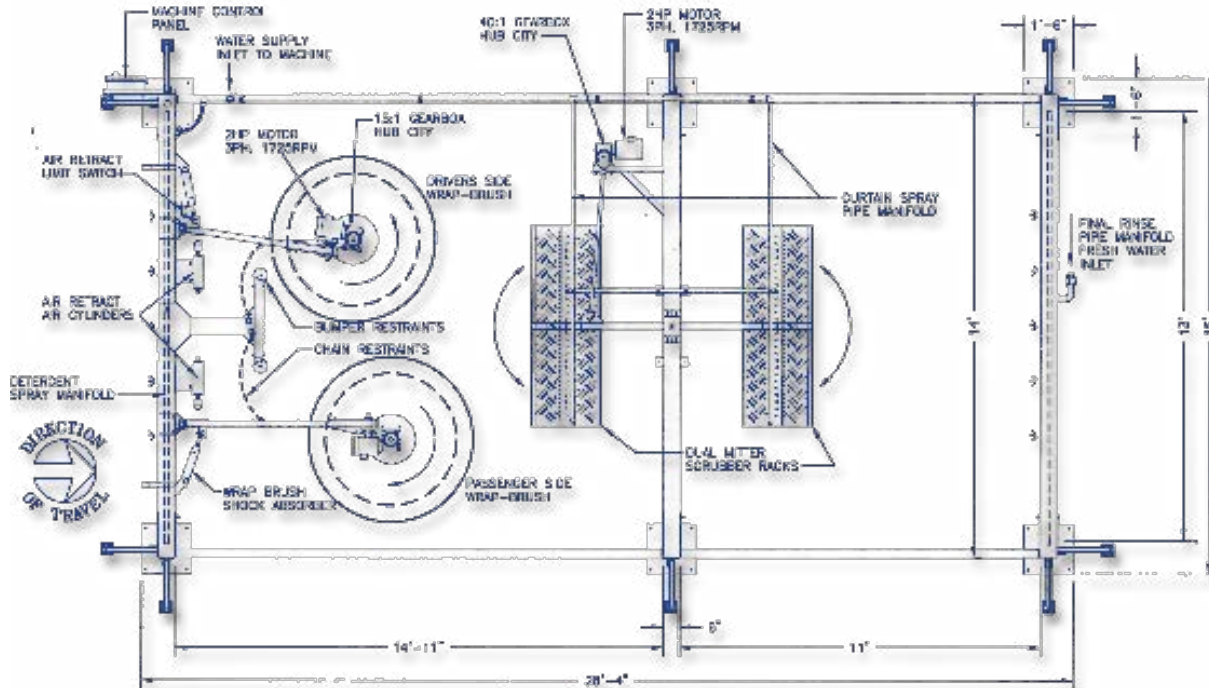
The System 3000

A total of four Wrap-A-Round brushes clean the front, sides and rear of each bus twice. Double overhead scrubbers clean roofs thoroughly while leaving lights and antennas unharmed, can be extended (optional) to wash smaller vehicles.



The System 3250

Designed for versatility and the needs of medium sized operators, this system includes a set of two side brushes rotating in opposition to the two wrap-a-round brushes for maximum effectiveness; cleaning the front and rear of each bus once and the sides twice. Double overhead scrubbers clean roofs thoroughly and are safe for all vehicles, can be extended (optional) to wash smaller vehicles.



The System 3100

The 3100 uses a rugged 6-legged frame & ultra-high molecular density polyethylene bearings.

An air retract system controls two wrap-a-round brushes that clean front, sides and back while a double overhead scrubber gently and thoroughly cleans the roof. Engineered to be safe, the system will not damage important crossover mirrors, safety side signs or lights. The curtains can be extended (optional) to wash smaller vehicles.



N/S Corporation

VEHICLE WASHING EQUIPMENT • ESTABLISHED 1961

www.nswash.com

235 West Florence Avenue
Inglewood, California 90301

800-782-1582

Parts: Ext. **3**

Service: Ext. **2**

Fax: **310.412.1196**



Due to Continuous research N/S Corporation reserves the right to upgrade or change at any time, specifications, or designs without notice and without incurring any obligations.
Copyright © 2019 NS Corporation.

**COMPANY WITH
QUALITY SYSTEM
CERTIFIED BY DNV GL
= ISO 9001 =**