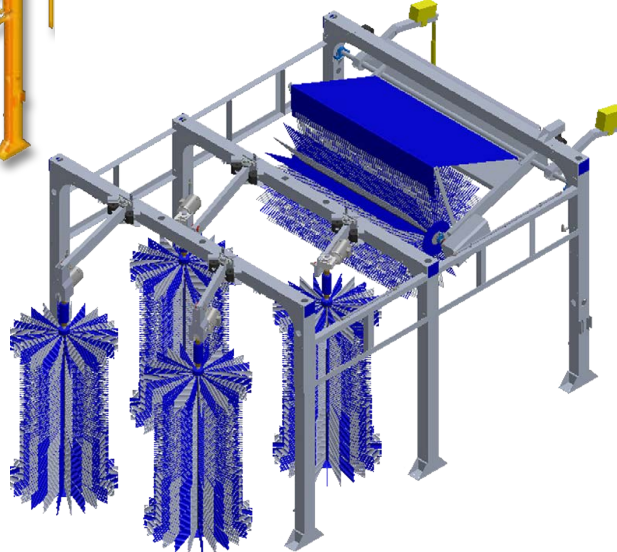
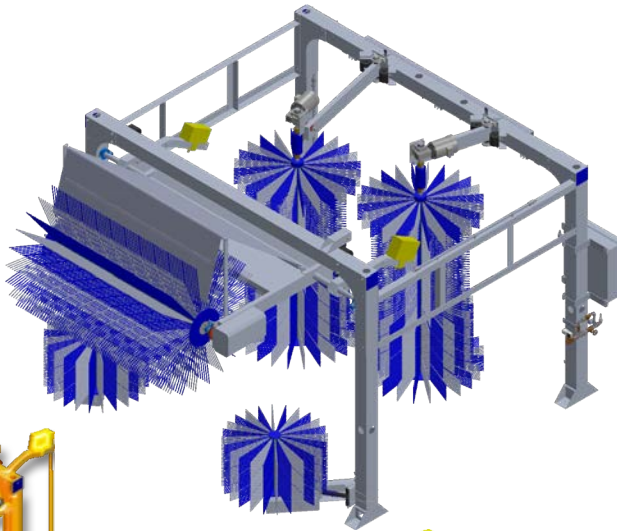
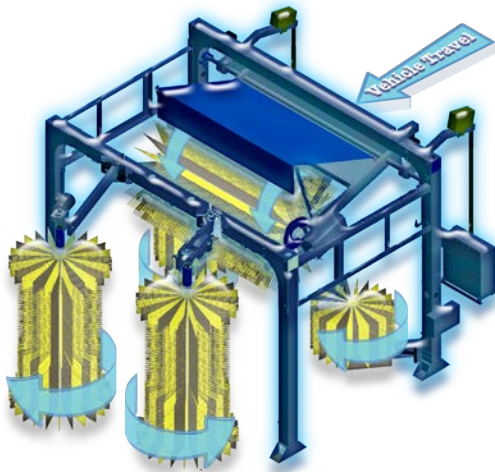


ECO 5TB & foam fiber Series

**PARTS
MANUAL**



NS CORPORATION

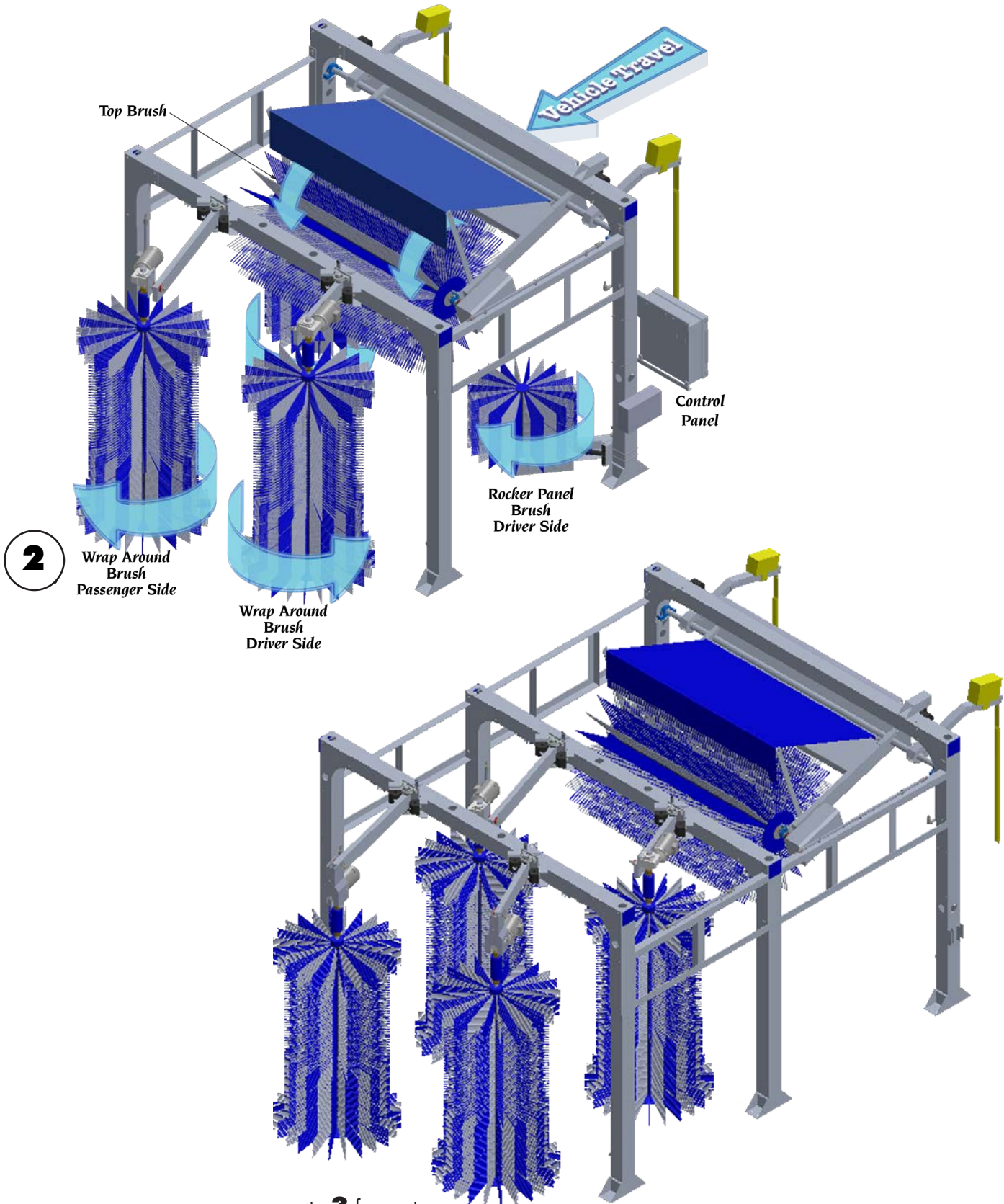
Quality Equipment Since 1961

Revision: 1
Date: 06/2019
Approved by: CA



ECO System

5TB-E & 5TB-HDE

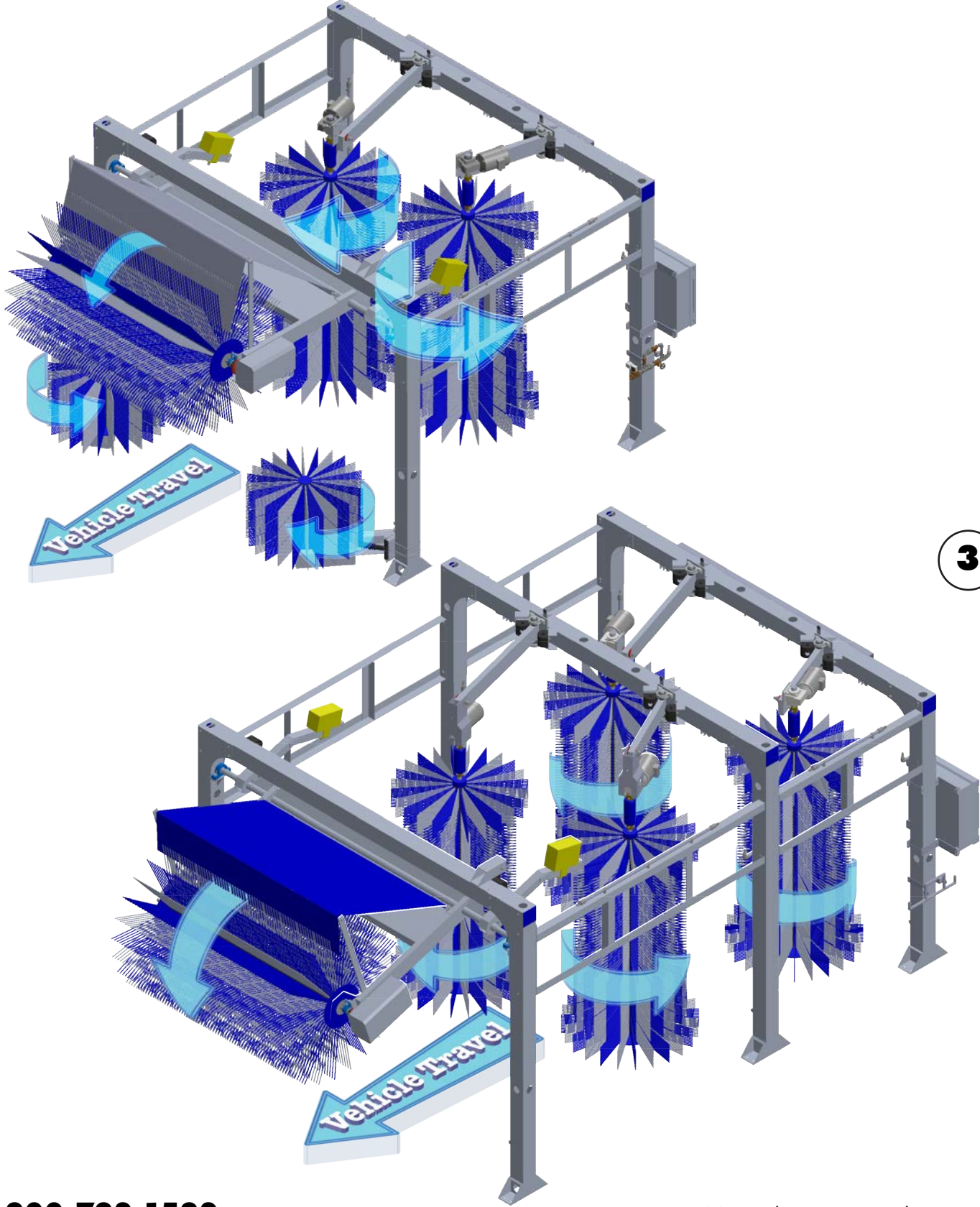


800-782-1582 ext.: **3** for parts

Parts Manual **ECO5 TB**Fiber
Rev: **1**

ECO System

5TB-X & 5TB-HDX

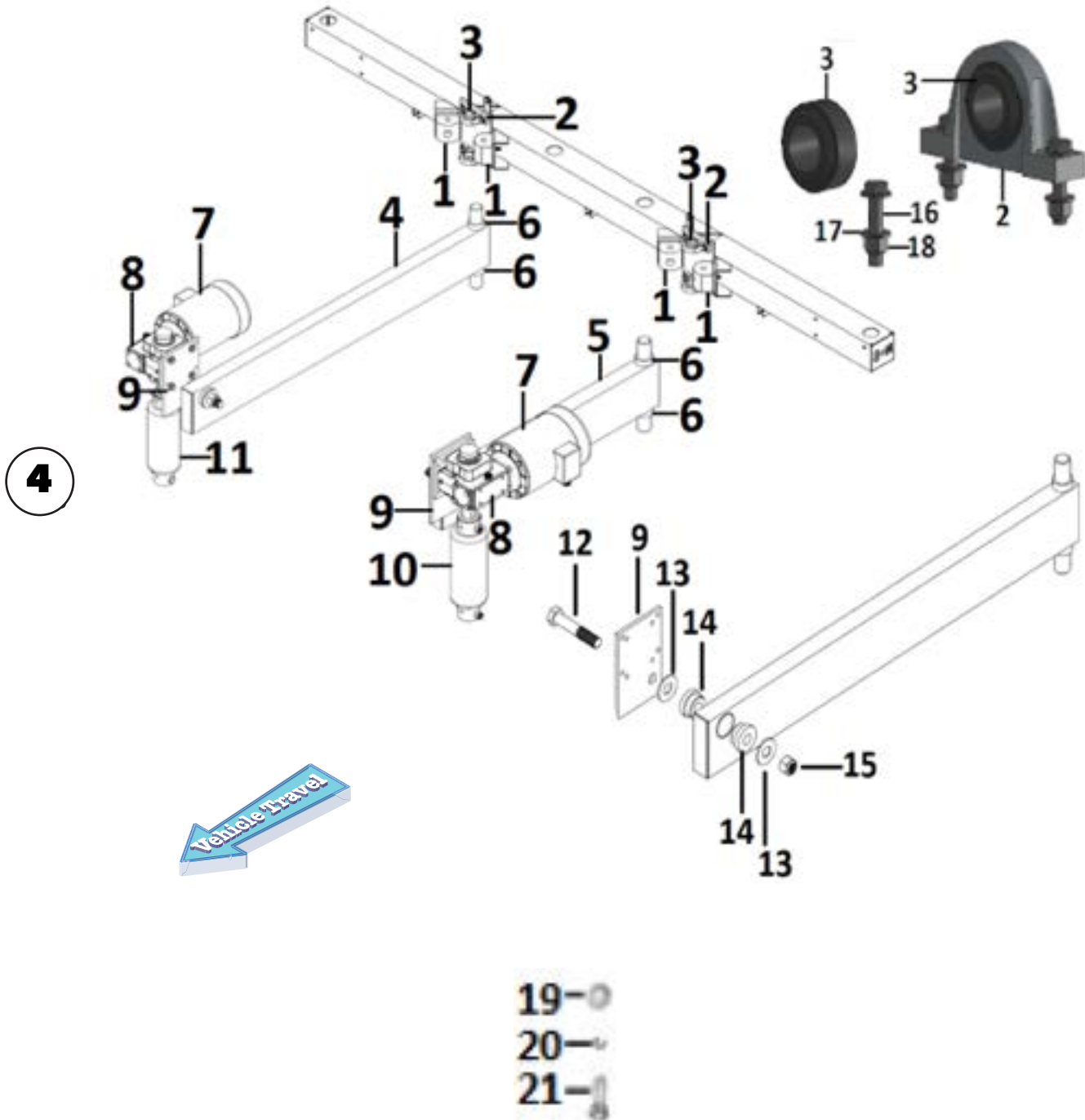


800-782-1582 ext.: **2** for service

Parts Manual **ECO5 TB**Fiber
Rev: **1**

ECO Wrap Around

Layout



800-782-1582 ext.: **3** for parts

Parts Manual **ECO5 TB**Fiber
Rev: **1**

ECO Wrap Around

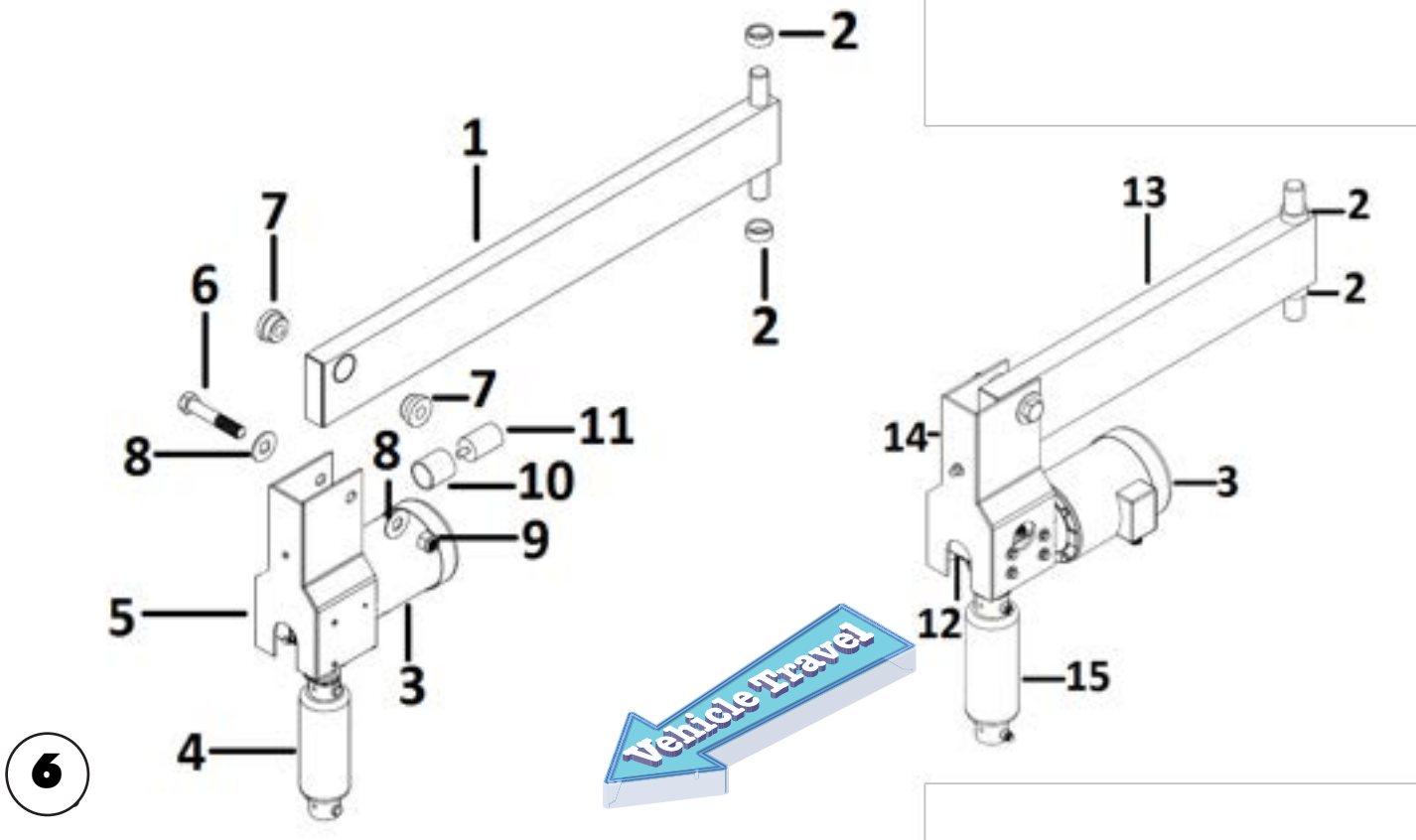
Parts List

Item No	Part No.	Description	Related to
1	640-1603	HARD ARM BUMPER	ECO WRAP AROUND
2	610-1301	1-1/2" BEARING HOUSING	ECO WRAP AROUND
3	610-1340	1-1/2" BEARING INSERT	ECO WRAP AROUND
4	630-1043	PASSENGER SIDE WRAP ARM	ECO WRAP AROUND
5	630-1044	DRIVER SIDE WRAP ARM	ECO WRAP AROUND
6	900-0012	WRAP ARM SPACER	ECO WRAP AROUND
7	212-1004	½ HP MOTOR (systems also include 1HP motors: part# 212-1000)	ECO WRAP AROUND
8	235-2133	30:1 920 REDUCER WITH 1-7/16" SHAFT	ECO WRAP AROUND
9	630-1029	920 MOUNTING PLATE	ECO WRAP AROUND
10	766-2000	DRIVER SIDE BLUE COUPLING	ECO WRAP AROUND
11	766-1000	PASSENGER SIDE BLUE COUPLING	ECO WRAP AROUND
12	820-1561	1" X 5-1/2" STAINLESS STEEL BOLT	ECO WRAP AROUND
13	870-1700	1" STAINLESS STEEL FLAT WASHER	ECO WRAP AROUND
14	900-0006	RED WRAP ARM BUSHING	ECO WRAP AROUND
15	840-5003	1" STAINLESS STEEL LOCK NUT	ECO WRAP AROUND
16	820-1534	½" X 2-3/4" STAINLESS STEEL BOLT	ECO WRAP AROUND
17	870-1501	½" STAINLESS STEEL THICK WASHER	ECO WRAP AROUND
18	840-2000	½" STAINLESS STEEL LOCK NUT	ECO WRAP AROUND
19	870-1300	3/8" STAINLESS STEEL FLAT WASHER	ECO WRAP AROUND
20	870-1350	3/8" STAINLESS STEEL LOCK NUT	ECO WRAP AROUND
21	820-1410	3/8" x 1" STAINLESS STEEL BOLT	ECO WRAP AROUND

5

ECO Wrap Around Tall

Layout & Parts List

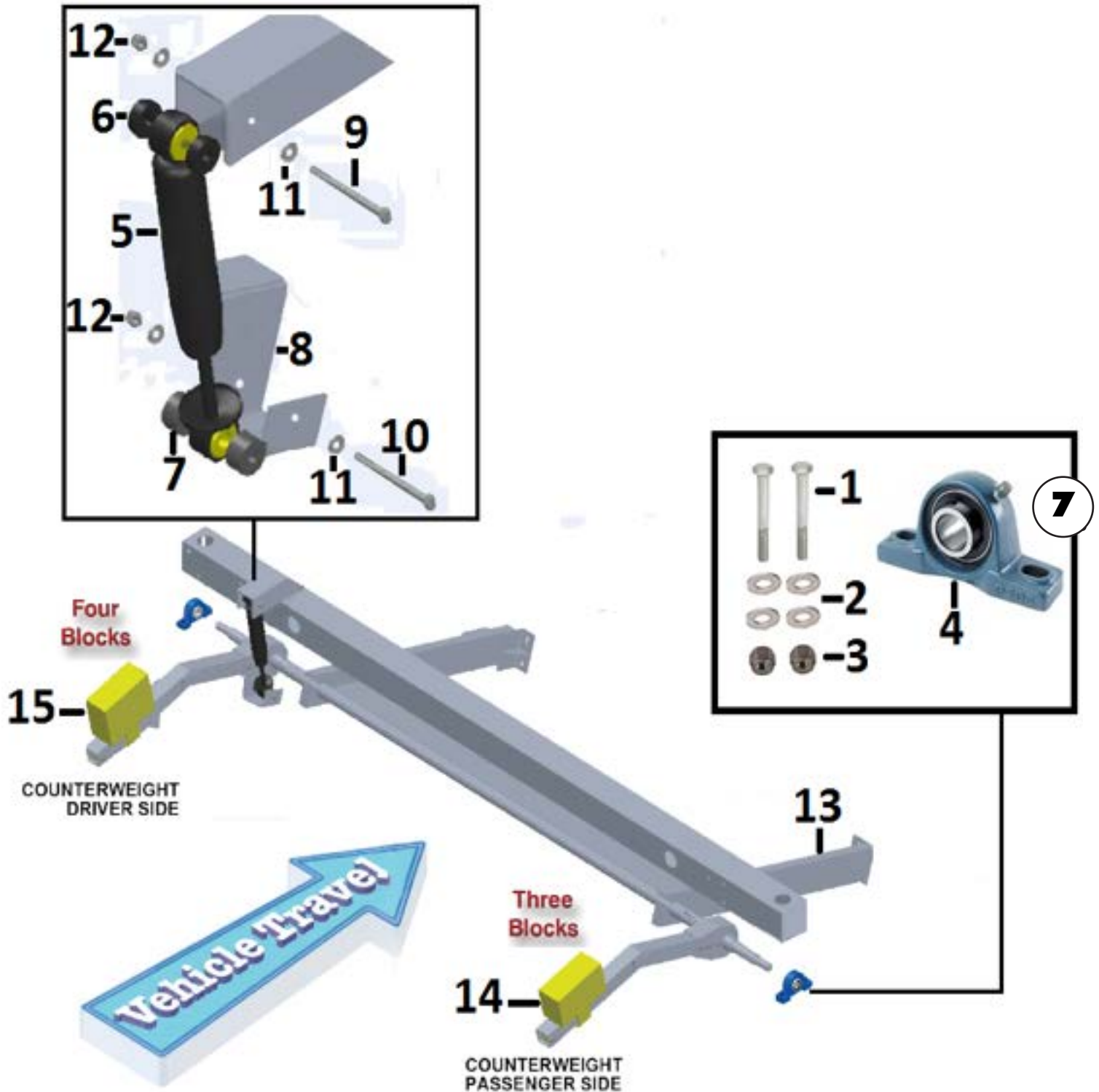


Item No	Part No.	Description	Related to
1	630-1043	PASSENGER SIDE WRAP ARM	Eco Wrap Around
2	900-0012	WRAP ARM SPACER	Eco Wrap Around
3	212-1004	½ HP MOTOR ½ HP MOTOR (systems also include 1HP motors: part# 212-1000)	Eco Wrap Around
4	766-1000	PASSENGER SIDE BLUE COUPLING	Eco Wrap Around
5	630-1125-ECO	Passenger Side Break Away Assembly (W/Hardware)	Eco Wrap Around
6	820-1561	1" X 5-1/2" STAINLESS STEEL BOLT	Eco Wrap Around
7	900-0006	RED WRAP ARM BUSHING	Eco Wrap Around
8	870-1700	1" STAINLESS STEEL FLAT WASHER	Eco Wrap Around
9	840-5003	1" STAINLESS STEEL LOCK NUT	Eco Wrap Around
10	630-1111	3" BUMPER PROTECTOR	Eco Wrap Around
11	640-1600	3" BUMPER	Eco Wrap Around
12	235-2133	30:1 920 REDUCER WITH 1-7/16" SHAFT	Eco Wrap Around
13	630-1044	DRIVER SIDE WRAP ARM	Eco Wrap Around
14	630-1126-ECO	Driver Side Break Away Arm Assembly (W/Hardware)	Eco Wrap Around
15	766-2000	DRIVER SIDE BLUE COUPLING	Eco Wrap Around

800-782-1582 ext.: **3** for parts

ECO 5 TB Frame

Frame Layout



800-782-1582 ext.: **2** for service

Parts Manual **ECO5 TB**Fiber
Rev: 1

ECO 5 TB Frame

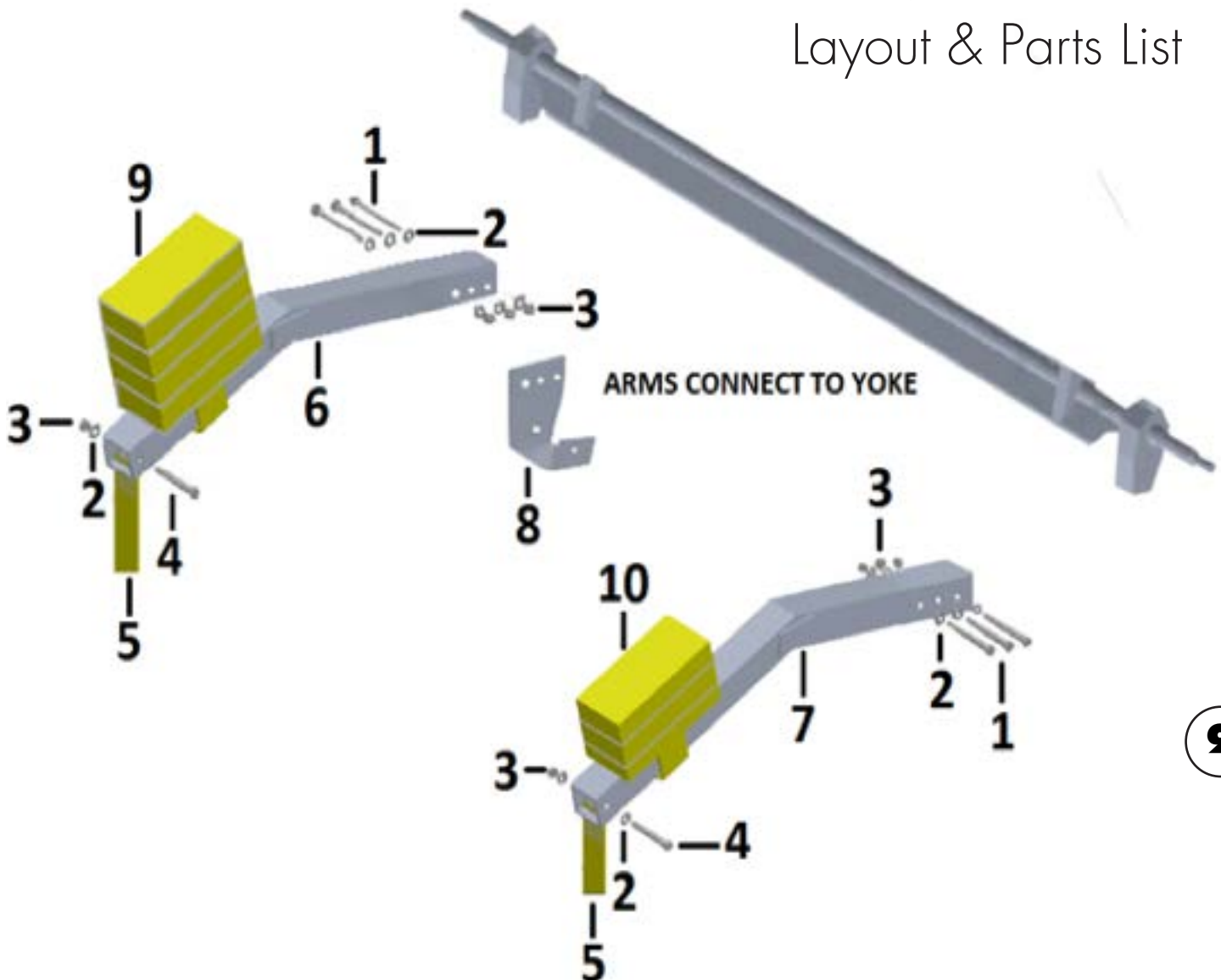
Parts List

Item No	Part No.	Description	Related to
1	820-1534	1/2" x 2-3/4" STAINLESS STEEL BOLT	PILLOW BLOCK BEARING
2	870-1501	1/2" STAINLESS STEEL THICK WASHER	PILLOW BLOCK BEARING
3	840-2000	1/2" STAINLESS STEEL LOCK NUT	PILLOW BLOCK BEARING
4	610-1121	1-1/2" PILLOW BLOCK BEARING	ECO TOP BRUSH
5	760-1610	13-1/2" RESTRICTIVE DAMPENER BLACK SHOCK	ECO TOP BRUSH
6	900-0014	SPACER FOR TOP BRUSH SHOCK 2" O.D. X 0.7 WIDTH (BULKHEAD)	BLACK SHOCK
7	900-0014A	SPACER FOR TOP BRUSH SHOCK 2" O.D. 1.125" WIDTH (BRACKET)	BLACK SHOCK
8	900-0418	MOUNTING BRACKET FOR TOP BRUSH SHOCK	ECO TOP BRUSH
9	820-3048	1/2" X 5-1/2" STAINLESS STEEL BOLT	BLACK SHOCK (BULKHEAD)
10	820-1581	1/2" X 6" STAINLESS STEEL BOLT	BLACK SHOCK (BRACKET)
11	870-1400	1/2" STAINLESS STEEL FLAT WASHER	BLACK SHOCK
12	840-2000	1/2" STAINLESS STEEL LOCK NUT	BLACK SHOCK
13	900-1304	ECO TOP BRUSH YOKE FRAME	ECO TOP BRUSH
14	910-1054	PASSENGER SIDE 3 BAR COUNTERWEIGHT	ECO TOP BRUSH
15	910-1053	DRIVER SIDE 4 BAR COUNTERWEIGHT	ECO TOP BRUSH

8

ECO 5 TB Arms

Layout & Parts List

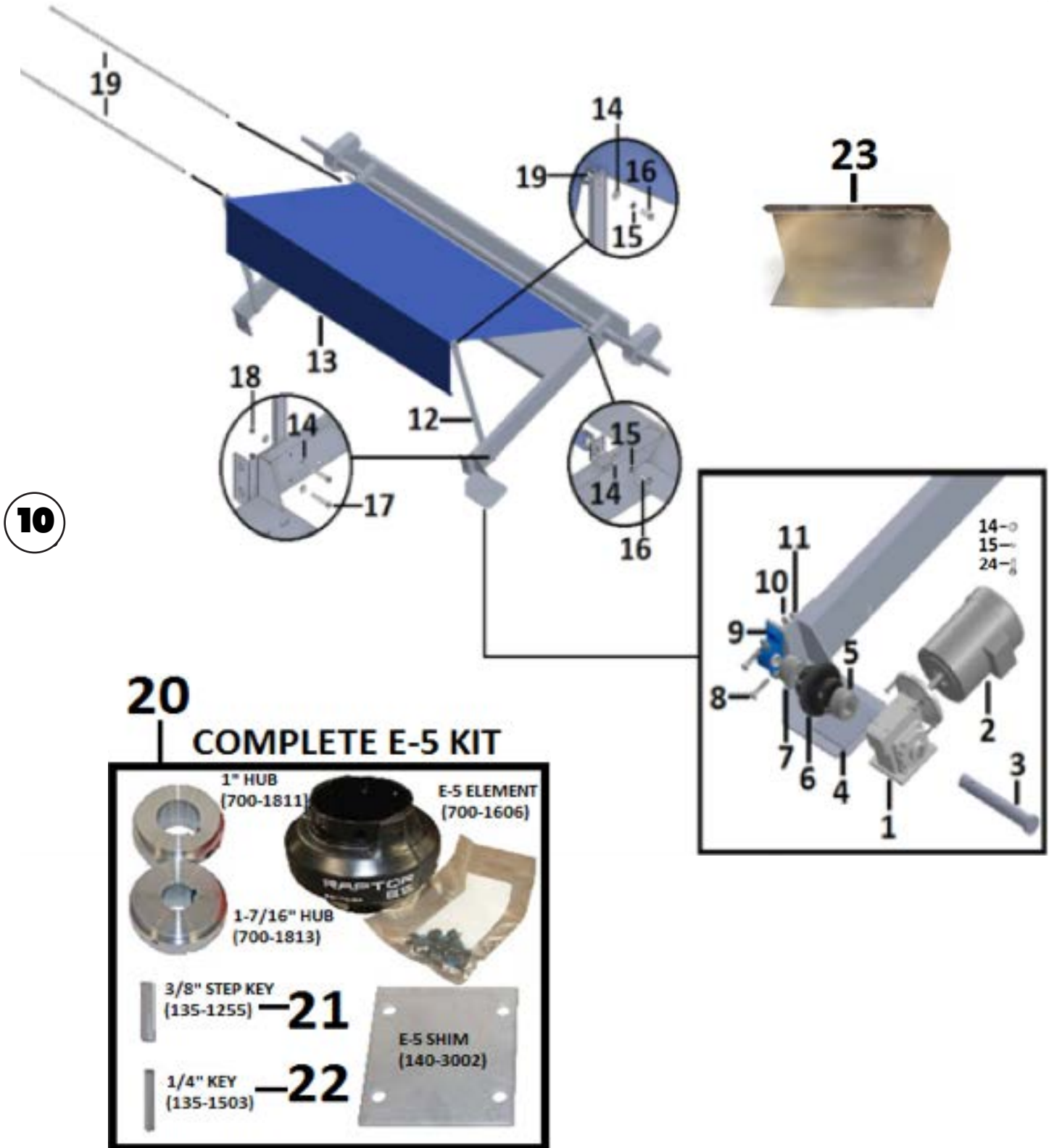


9

Item No	Part No.	Description	Related to
1	820-1580	1/2" X 5" STAINLESS STEEL BOLT	TOP BRUSH YOKE & ARMS
2	870-1400	1/2" STAINLESS STEEL FLAT WASHER	COUNTERWEIGHT ARMS
3	840-2000	1/2" STAINLESS STEEL LOCK NUT	COUNTERWEIGHT ARMS
4	820-1560	1/2" X 4" STAINLESS STEEL BOLT	COUNTERWEIGHT ARMS
5	900-1445	"CAUTION" WARNING STRIP	COUNTERWEIGHT ARMS
6	630-1070	DRIVER SIDE COUNTERWEIGHT ARM	COUNTERWEIGHT ARMS
7	630-1071	PASSENGER SIDE COUNTERWEIGHT ARM	COUNTERWEIGHT ARMS
8	900-0418	MOUNTING BRACKET FOR TOP BRUSH SHOCK	COUNTERWEIGHT ARMS
9	910-1053	DRIVER SIDE 4 BAR COUNTERWEIGHT	COUNTERWEIGHT ARMS
10	910-1054	PASSENGER SIDE 3 BAR COUNTERWEIGHT	COUNTERWEIGHT ARMS

ECO 5 TB Motor Frame

Layout



800-782-1582 ext.: **3** for parts

ECO 5 TB Motor Frame

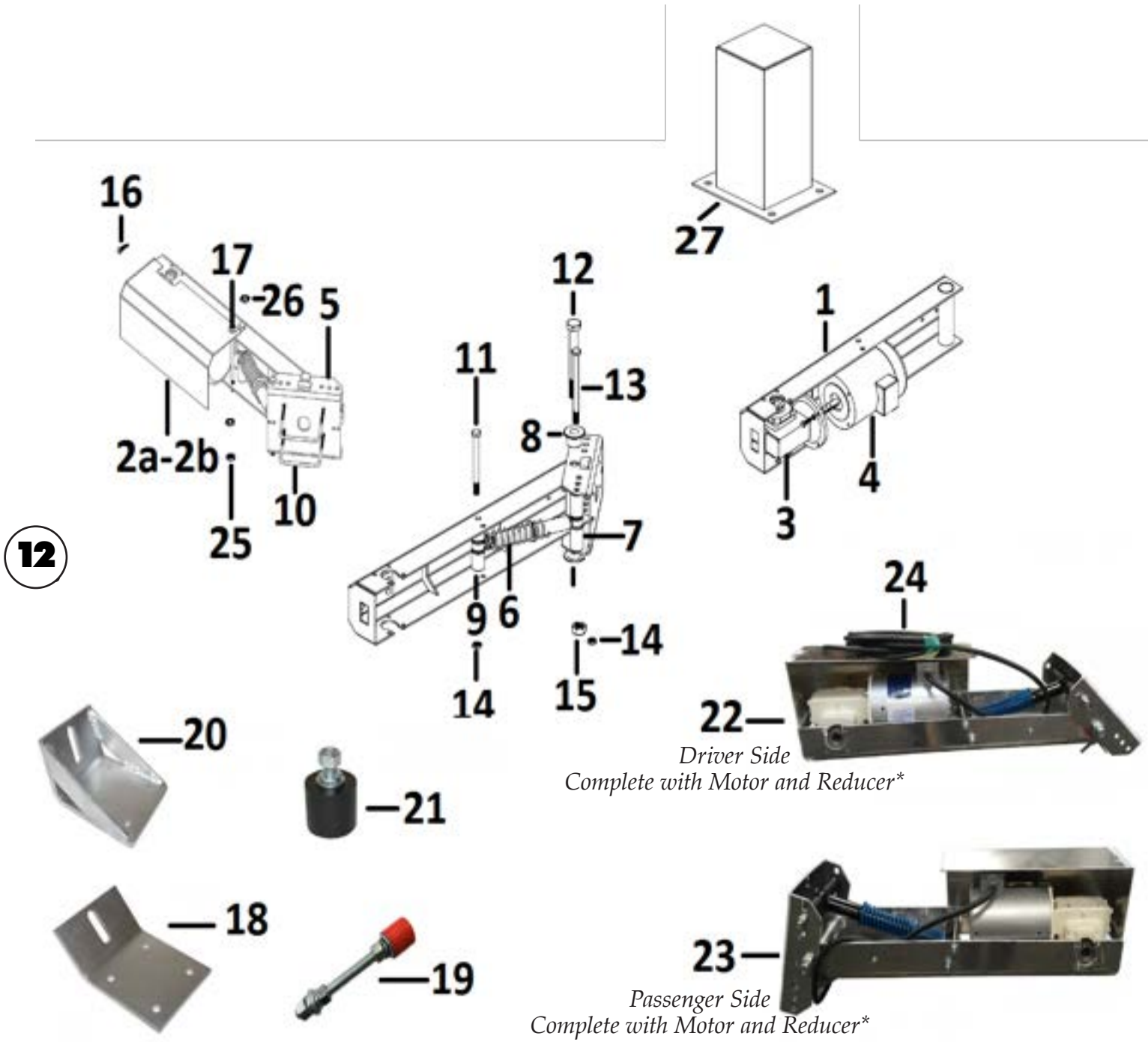
Parts List

Item No	Part No.	Description	Related to
1	235-2132	15:1 920 REDUCER WITH 1-7/16" SHAFT	Top Brush Yoke
2	212-1000	1 HP MOTOR, 3 PH, 3/4" SHAFT	Top Brush Yoke
3	235-2132A	1-7/16" 920 SHAFT WITHOUT HOLE	15:1 920 Reducer
4	140-3002	ECO TOP BRUSH SHIM (USE IF CONVERTING FROM E-4 TO E-5 COUPLING)	15:1 920 Reducer
5	700-1813	1-7/16" E-5 ELEMENT COUPLING HUB	E-5 Element
6	700-1606	E-5 ELEMENT COUPLING	E-5 Element
7	700-1811	1" E-5 ELEMENT COUPLING HUB	E-5 Element
8	820-1534	1/2" x 2-3/4" STAINLESS STEEL BOLT	1" Pillow Block
9	610-1115	1" PILLOW BLOCK BEARING	1" Pillow Block
10	870-1501	1/2" STAINLESS STEEL THICK WASHER	1" Pillow Block
11	840-2000	1/2" STAINLESS STEEL LOCK NUT	1" Pillow Block
12	630-0008	TOP BRUSH SHIELD BRACKET, ALUM FLAT BAR 1/2" x 2" x 42"	Top Brush Shield
13	900-5061C	TOP BRUSH SHIELD CANVAS ONLY	Top Brush Shield
14	870-1300	3/8" STAINLESS STEEL FLAT WASHER	Top Brush Shield
15	870-1350	3/8" STAINLESS STEEL LOCK WASHER	Top Brush Shield
16	820-1415	3/8" x 1-1/4" STAINLESS STEEL BOLT	Top Brush Shield
17	820-1460	3/8" x 3-1/2" STAINLESS STEEL BOLT	Top Brush Shield
18	840-1900	3/8" STAINLESS STEEL LOCK NUT	Top Brush Shield
19	630-0003	TOP BRUSH SHIELD SUPPORT POLE	Top Brush Shield
20	700-1811	E-5 REPLACEMENT KIT (INCLUDES 1" E-5 HUB, 1-7/16" E-5 HUB, E-5 ELEMENT COUPLING , 1/4" X 1" SQUARE KEY, 3/8" STEP KEY, AND E-5 COUPLING SHIM)	Replacement For E-4 Elements
21	135-1255	KEYSTOCK, 3/8"x 5/16"x 1-3/4" STEPPED (1-7/16" E-5 COUPLING HUB)	1-7/16" E-5 Hub
22	135-1503	KEYSTOCK, 1/4" X 1/4" X 2" LG. KEYSTOCK (1" E-5 COUPLING HUB)	1" E-5 Hub
23	940-1399D	MOTOR COVER, DRIVER SIDE TOP BRUSH	1 Hp Motor
24	820-1410	3/8" x 1" STAINLESS STEEL BOLT	Mounting Bolt

11

Rocker Panel Brush Arms

Layout



12

800-782-1582 ext.: **3** for parts

* Specify HP and Voltage when Ordering
 Parts Manual **ECOS TBFiber**
 Rev: 1

Rocker Panel Brush Arms

Parts List

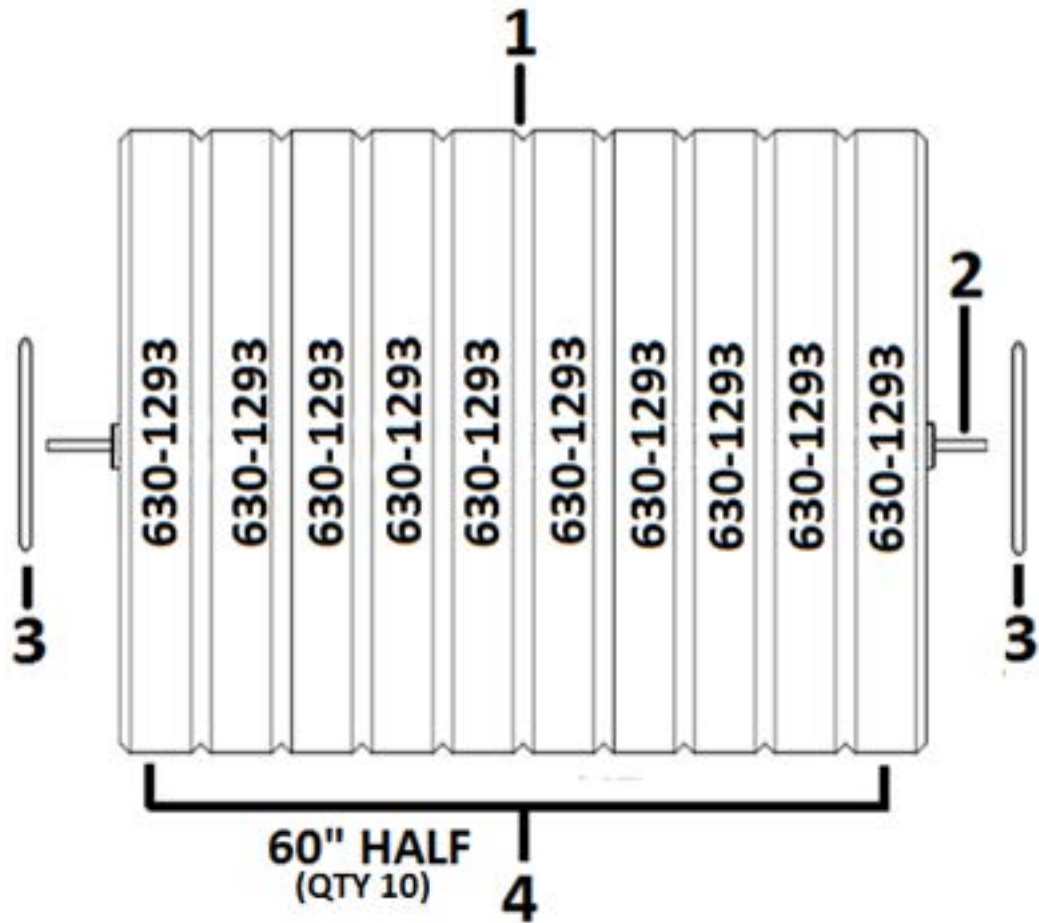
Item No	Part No.	Description	Related to
1	900-0405	UNIVERSAL ROCKER PANEL ARM	Rocker Panel Brush Arm
2a	900-1415	DRIVER SIDE RPB MOTOR COVER	Rocker Panel Brush Arm
2b	900-1414	PASSENGER SIDE RPB MOTOR COVER	Rocker Panel Brush Arm
3	235-2145	30:1 920 REDUCER WITH 1" SHAFT	Rocker Panel Brush Arm
4	212-1004	½ HP MOTOR (Systems also come w/1HP motors: part# 210-2096)	Rocker Panel Brush Arm
5	900-0404	RPB ARM MOUNTING BRACKET	Rocker Panel Brush Arm
6	765-1114	SHOCK WITH BLUE SPRING	Rocker Panel Brush Arm
7	160-0410	1.5"X 3.25" RPB SHOCK SPACER	Rocker Panel Brush Arm
8	160-0405	RPB PIVOT BUSHING	Rocker Panel Brush Arm
9	160-0415	1.5"X 2.5" RPB SHOCK SPACER	Rocker Panel Brush Arm
10	810-1652	3/8" STAINLESS STEEL U-BOLT	Rocker Panel Brush Arm
11	810-1004	5/8" X 8-1/2" STAINLESS STEEL BOLT	Rocker Panel Brush Arm
12	810-1002	1" X 10" STAINLESS STEEL BOLT	Rocker Panel Brush Arm
13	820-3057	5/8" X 10" STAINLESS STEEL BOLT	Rocker Panel Brush Arm
14	840-1016	5/8" STAINLESS STEEL THIN JAM NUT	Rocker Panel Brush Arm
15	840-1015	1" STAINLESS STEEL THIN JAM NUT	Rocker Panel Brush Arm
16	860-1114	1" STAINLESS STEEL TEK SCREW	Rocker Panel Brush Arm
17	820-1656	½" X 8-1/2" STAINLESS STEEL BOLT	Rocker Panel Brush Arm
18	900-1412	DRIVER SIDE BUMPER PLATE	Rocker Panel Brush Arm
19	640-1410	RPB DRIVER SIDE BUMPER ASSEMBLY	Rocker Panel Brush Arm
20	900-1413	PASSENGER SIDE BUMPER PLATE	Rocker Panel Brush Arm
21	640-1400	1-1/2" PASSENGER SIDE BUMPER	Rocker Panel Brush Arm
22	900-1615	Rocker Panel Arm Assembly (Brush Not Included) Driver	Rocker Panel Brush Arm
23	900-1625	Rocker Panel Arm Assembly (Brush Not Included) Passenger	Rocker Panel Brush Arm
24	330-0020	14/4 600V CORD	Rocker Panel Brush Arm
25	840-1325	½" STAINLESS STEEL THIN JAM NUT	Rocker Panel Brush Arm
26	870-1400	½" STAINLESS STEEL FLAT WASHER	Rocker Panel Brush Arm
27	900-0397	STAND ALONE ROCKER PANEL STAND	Stand Alone Rpb

13

ECO 5 Top Fiber Brush

Layout & Parts List

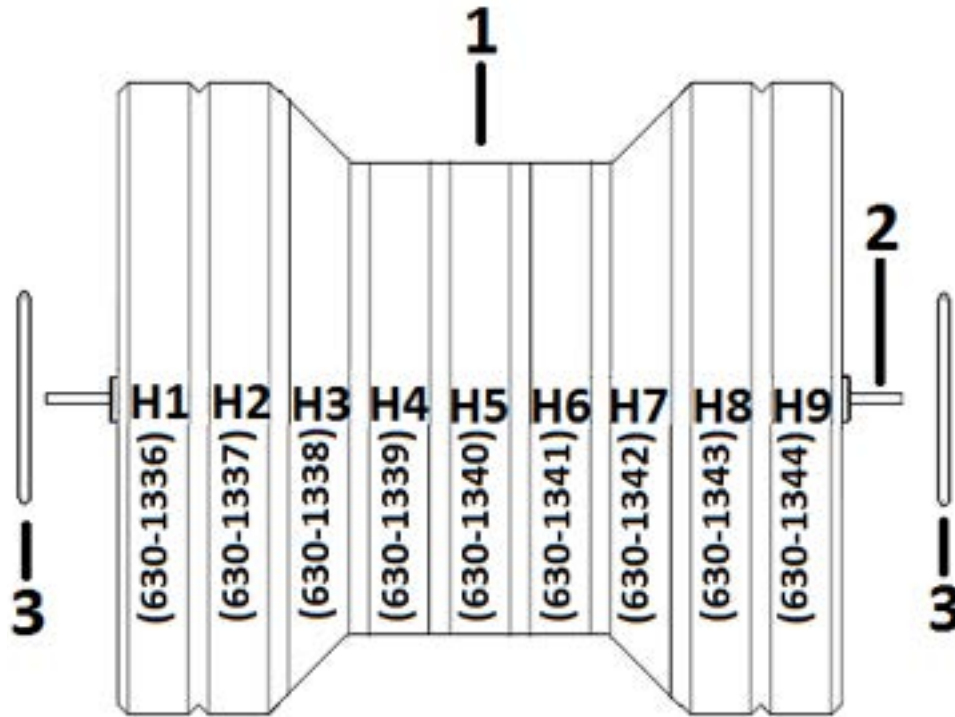
14



Item No	Part No.	Description	Related to
1	630-1314A	ECO TOP BRUSH FIBER	TOP BRUSH
2	900-0178	ECO TOP BRUSH SHAFT (4.75" X 78")	TOP BRUSH
3	710-1095	18" BLUE RUBBER DISC WITH METAL DISC PLATE	TOP BRUSH
4	630-1293	60" HALF DENSITY FIBER BRUSH PELT	TOP BRUSH

ECO 5 Top Foam Brush

Layout & Parts List



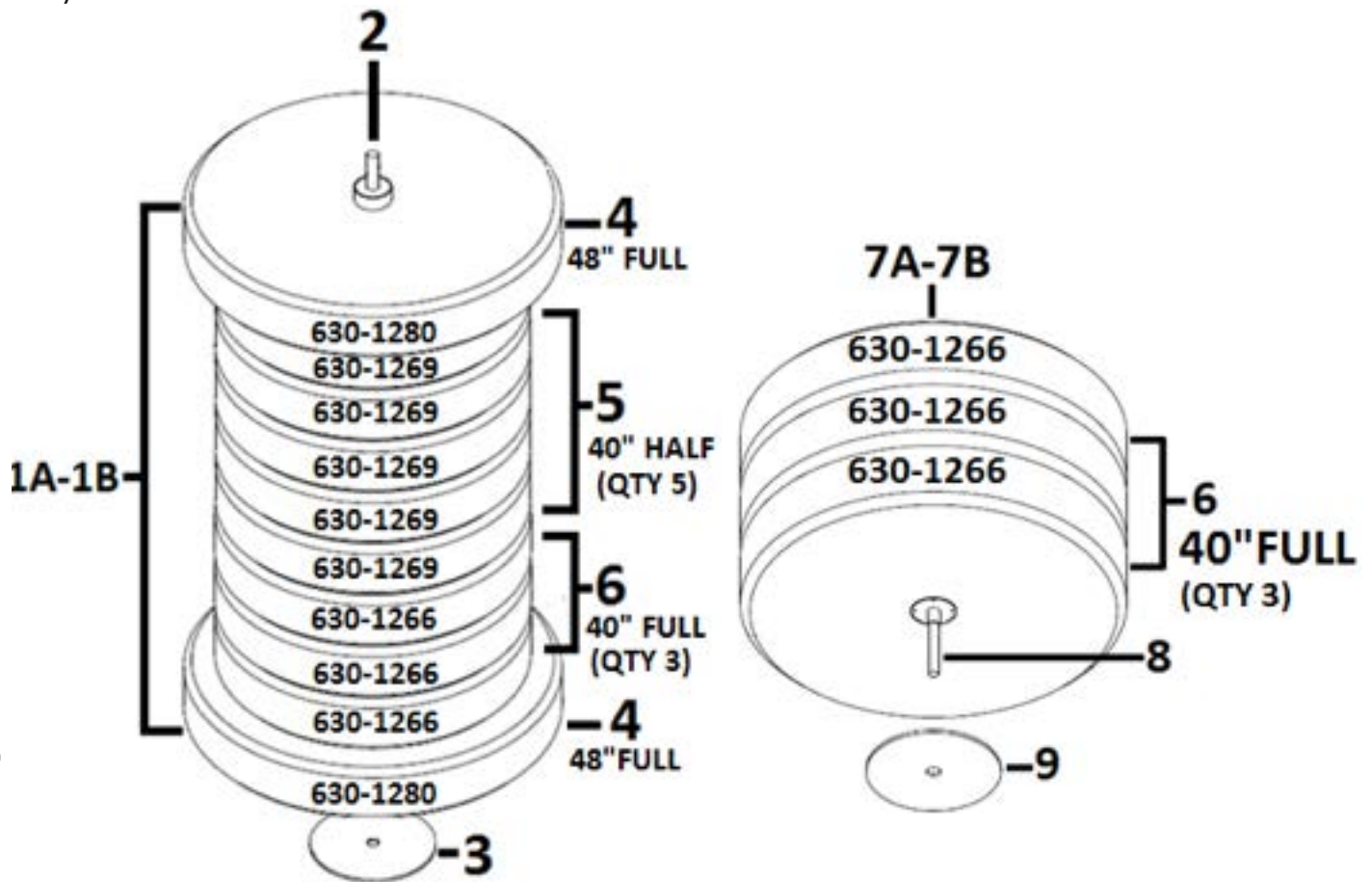
15

Item No	Part No.	Description	Related to
1	630-1314A-FOAM	ECO TOP BRUSH FIBER	TOP BRUSH
2	900-0178	ECO TOP BRUSH SHAFT (4.75" X 78")	TOP BRUSH
3	710-1095	18" BLUE RUBBER DISC WITH METAL DISC PLATE	TOP BRUSH

Fiber Brushes

Layout & Parts List

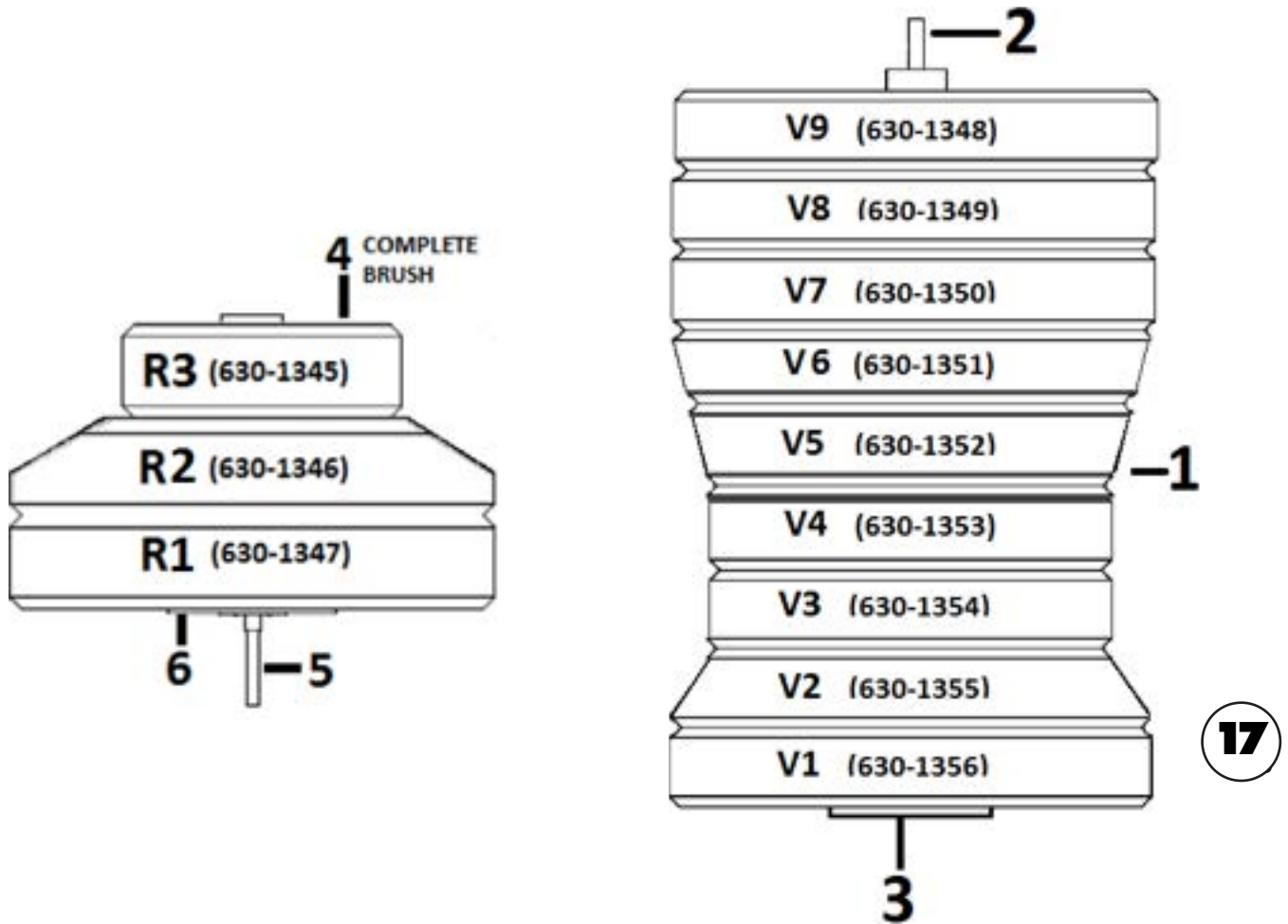
16



Item No	Part No.	Description	Related to
1A	630-1300D-ECO	DRIVER SIDE, WRAP BRUSH FIBER	Wrap Brush
1B	630-1300P-ECO	PASSENGER SIDE, WRAP BRUSH FIBER	Wrap Brush
2	900-0212-ECO	ECO WRAP BRUSH SHAFT (4.75" X 80")	Wrap Brush
3	710-1088	16" BLUE RUBBER DISC WITH METAL DISC PLATE	Wrap Brush
4	630-1280	48" FULL DENSITY FIBER BRUSH PELT	Wrap Brush
5	630-1269	40" HALF DENSITY FIBER BRUSH PELT	Wrap Brush
6	630-1266	40" FULL DENSITY FIBER BRUSH PELT	Rocker & Wrap Brush
7A	630-1320D	DRIVER SIDE, ROCKER PANEL FIBER BRUSH	Rocker Panel Brush
7B	630-1320P	PASSENGER SIDE, ROCKER PANEL FIBER BRUSH	Rocker Panel Brush
8	900-0190	ECO ROCKER PANEL BRUSH SHAFT (4.75" X 23.25")	Rocker Panel Brush
9	710-1006	14" BLUE RUBBER DISC WITH METAL DISC PLATE	Rocker Panel Brush

Foam Brushes

Layout & Parts List

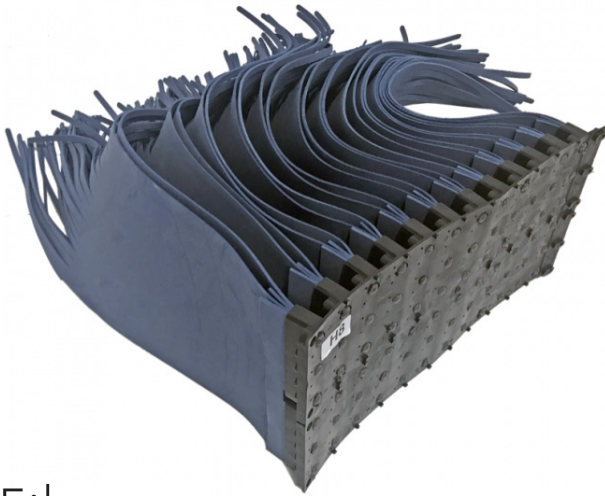


Item No	Part No.	Description	Related to
1	630-1300-ECO-FM	UNIVERSAL WRAP FOAM BRUSH	Wrap Brush
2	900-0212-ECO	ECO WRAP BRUSH SHAFT (4.75" X 80")	Wrap Brush
3	710-1088	16" BLUE RUBBER DISC WITH METAL DISC PLATE	Wrap Brush
4	630-1320-FOAM	UNIVERSAL ROCKER PANEL FOAM BRUSH	Rocker Panel Brush
5	900-0190-FOAM	ECO ROCKER PANEL BRUSH SHAFT (4.75" X 21")	Rocker Panel Brush
6	710-1006	14" BLUE RUBBER DISC WITH METAL DISC PLATE	Rocker Panel Brush

Brush Accessories

Foam

Foam Pelt



*5/8" O.D. Bonded Seal Washer
820-1244*



*#12 x 2" SST Screw
860-1118*

Fiber

18



*40" Half Blue/Silver Fiber Pelt
630-1276*



*48" Full Blue Fiber Pelt
630-1280*



*40" Full Blue/Silver Fiber Pelt
630-1292*



*Brush Pelt Rivets
(req. 3 rivets per pelt)
825-1260*



*60" Half Blue/Silver Fiber Pelt
630-1293*

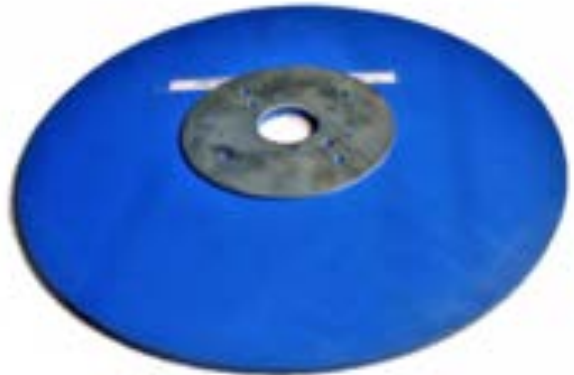
800-782-1582 ext.: **3** for parts

Fiber Brush Accesories

Discs



14" Rubber Disc
710-1006



16" Rubber Disc
710-1088



18" Rubber Disc
710-1095

19



14" Aluminum Disc
710-0010



5½" Aluminum Disc
710-0009

Top Brush Accessories

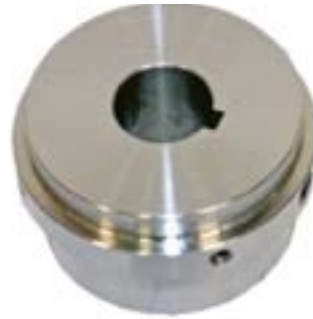


*E-5 Element Coupling
700-1606*

20



*1-7/16" E-5 Element Hub
700-1813*



*1" E-5 Element Hub
700-1811*



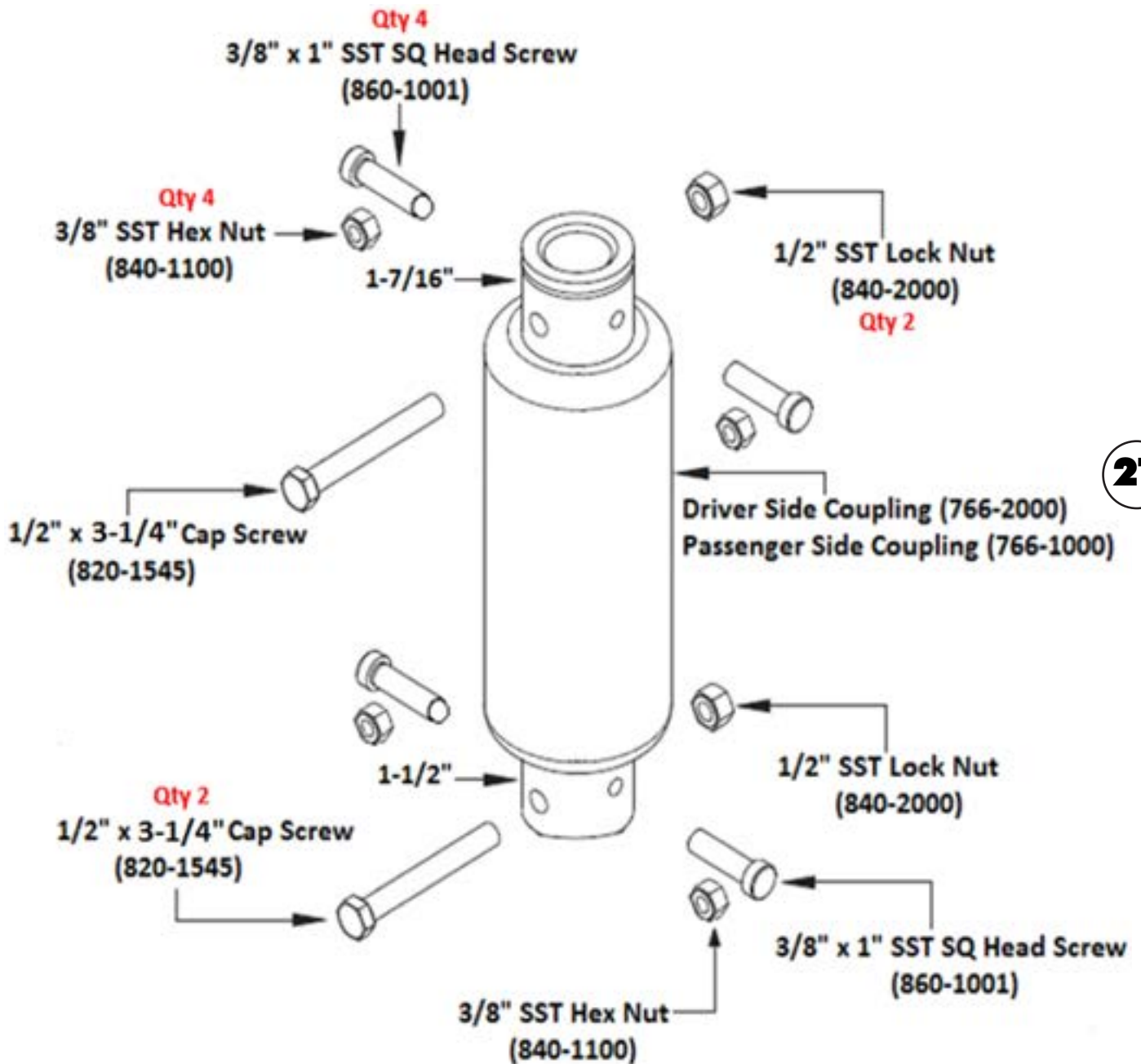
*3/8" x 5/16" x 1-3/4" Step Key
135-1255*



*1/4" x 1/4" x 24" Step Key
135-1503*

Couplings

Accessories



Couplings

Accessories



766-2000
Driver Side Coupling



766-1000
Passenger Side Coupling

22



820-1545
1/2" x 3/4"
2 Bolts per Coupling



840-2000
1/2" SS Lock Nut
2 Lock Nuts per Coupling



860-1001
3/8" x 1" SS SQ Head Screw
4 Screws per Coupling



840-1100
3/8" SS Hex Nut
4 Hex Nuts per Coupling

800-782-1582 ext.: **3** for parts

Parts Index

135-1255	11	700-1811	11	860-1001	22
135-1255	20	700-1811	20	860-1114	13
135-1503	11	700-1813	11	860-1118	18
135-1503	20	700-1813	20	870-1300	5
140-3002	11	710-0009	19	870-1300	11
160-0405	13	710-0010	19	870-1350	5
160-0410	13	710-1006	16	870-1350	11
160-0415	13	710-1006	17	870-1400	8
212-1000	11	710-1006	19	870-1400	9
212-1004	5	710-1088	16	870-1400	13
212-1004	6	710-1088	17	870-1501	5
212-1004	13	710-1088	19	870-1501	8
235-2132	11	710-1095	14	870-1501	11
235-2132A	11	710-1095	15	870-1700	5
235-2133	5	710-1095	19	870-1700	6
235-2133	6	760-1610	8	900-0006	5
235-2145	13	765-1114	13	900-0006	6
330-0020	13	766-1000	5	900-0012	5
610-1115	11	766-1000	6	900-0012	6
610-1121	8	766-1000	22	900-0014	8
610-1301	5	766-2000	5	900-0014A	8
610-1340	5	766-2000	6	900-0178	14
630-0003	11	766-2000	22	900-0178	15
630-0008	11	810-1002	13	900-0190	16
630-1029	5	810-1004	13	900-0190-FOAM	17
630-1043	5	810-1652	13	900-0212-ECO	16
630-1043	6	820-1244	18	900-0212-ECO	17
630-1044	5	820-1410	5	900-0397	13
630-1044	6	820-1410	11	900-0404	13
630-1070	9	820-1415	11	900-0405	13
630-1071	9	820-1460	11	900-0418	8
630-1111	6	820-1534	5	900-0418	9
630-1125-ECO	6	820-1534	8	900-1304	8
630-1126-ECO	6	820-1534	11	900-1412	13
630-1266	16	820-1545	22	900-1413	13
630-1269	16	820-1560	9	900-1414	13
630-1276	18	820-1561	5	900-1415	13
630-1280	16	820-1561	6	900-1445	9
630-1280	18	820-1580	9	900-1615	13
630-1292	18	820-1581	8	900-1625	13
630-1293	14	820-1656	13	900-5061C	11
630-1293	18	820-3048	8	910-1053	8
630-1300D-ECO	16	820-3057	13	910-1053	9
630-1300-ECO-FM	17	825-1260	18	910-1054	8
630-1300P-ECO	16	840-1015	13	910-1054	9
630-1314A	14	840-1016	13	940-1399D	11
630-1314A-FOAM	15	840-1100	22		
630-1320D	16	840-1325	13		
630-1320-FOAM	17	840-1900	11		
630-1320P	16	840-2000	5		
640-1400	13	840-2000	8		
640-1410	13	840-2000	8		
640-1600	6	840-2000	9		
640-1603	5	840-2000	11		
700-1606	11	840-2000	22		
700-1606	20	840-5003	5		
700-1811	11	840-5003	6		



N/S Corporation

VEHICLE WASHING EQUIPMENT • ESTABLISHED 1961

www.nswash.com

235 West Florence Avenue
Inglewood, California 90301

800-782-1582

Parts: Ext. **3**

Service: Ext. **2**

Fax: **310.412.1196**



Due to Continuous research N/S Corporation reserves the right to upgrade or change at any time, specifications, or designs without notice and without incurring any obligations.

Copyright © 2019 NS Corporation.

**COMPANY WITH
QUALITY SYSTEM
CERTIFIED BY DNV GL
= ISO 9001 =**